

Marking

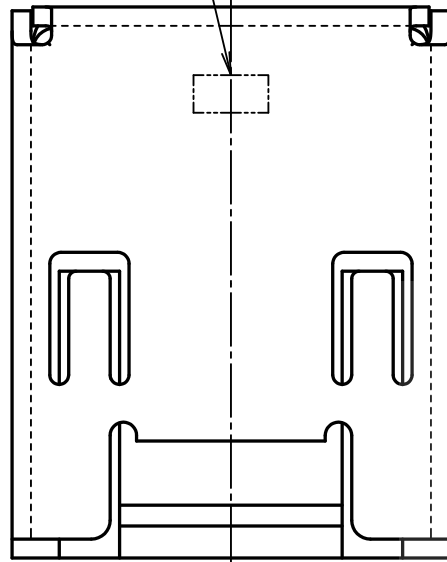
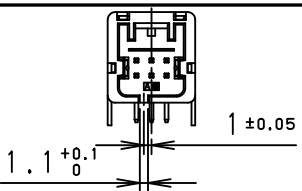
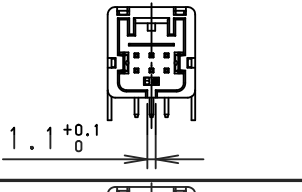
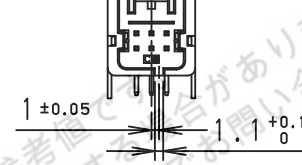
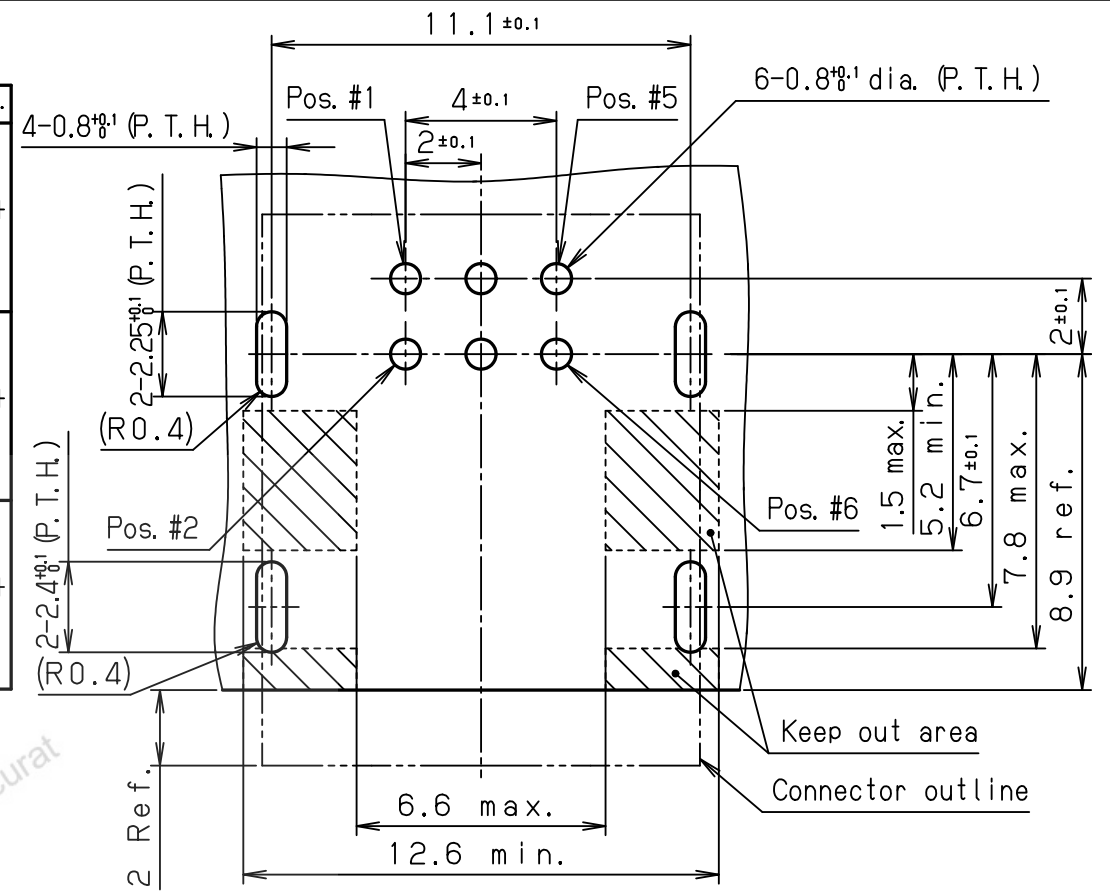
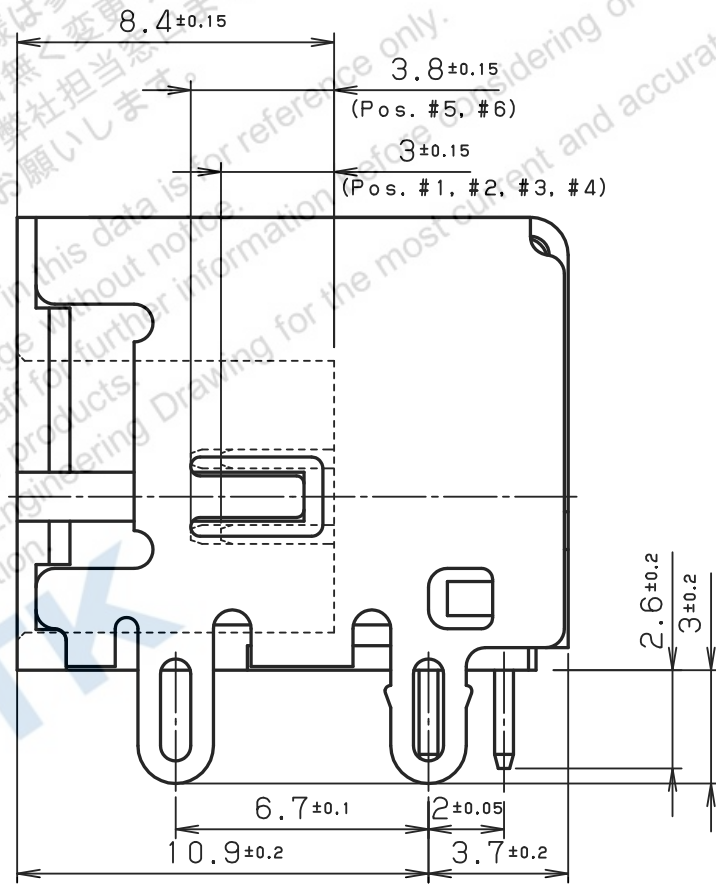
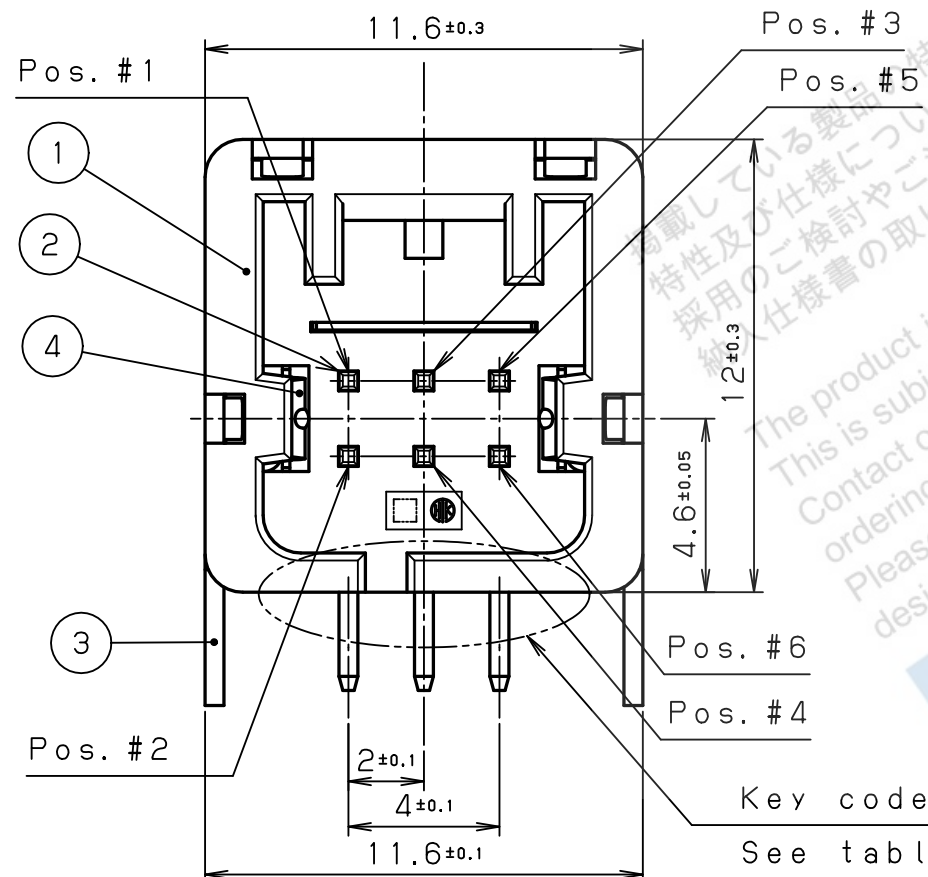
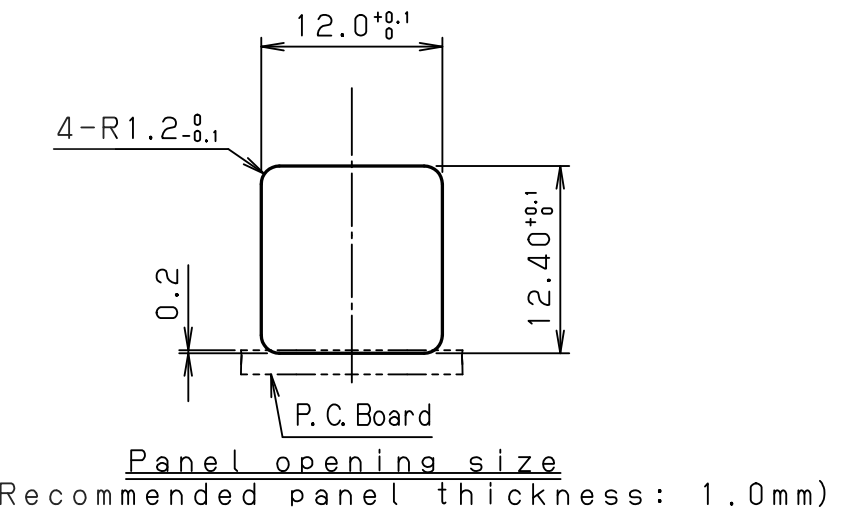


Table 1: Housing color and key code

| Part no.         | Insulator color | Key code  | Mating plug part no. |
|------------------|-----------------|---|----------------------|
| TAK-A6LMDGGB-AF+ | Black           | <br>1 ±0.05                          | TAK-A6SFCGB-A ( ) +  |
| TAK-A6LMDGAB-BF+ | Blue            | <br>1.1 <sup>+0.1</sup> <sub>0</sub> | TAK-A6SFCGA-B ( ) +  |
| TAK-A6LMDGCB-CF+ | Brown           | <br>1 ±0.05                          | TAK-A6SFCGC-C ( ) +  |



Recommended P.C.B layout  
P.C.B thickness: 1.2mm~1.6mm  
(Connector side)



RoHS compliant

| △    |                  |           |           | 4         | Ground contact | Stainless steel | 1                                  | Nickel plating | —                       |      |
|------|------------------|-----------|-----------|-----------|----------------|-----------------|------------------------------------|----------------|-------------------------|------|
| △    |                  |           |           | 3         | Shell          | Steel           | 1                                  | Nickel plating | —                       |      |
| △    |                  |           |           | 2         | Contact        | Copper alloy    | 6                                  | Gold plating   | —                       |      |
| △    |                  |           |           | 1         | Insulator      | PBT (GF)        | 1                                  | —              | UL94V-0<br>See table #1 |      |
| LTR. | DATE             | BY        | REV.      | DESCRPT   | No.            | PART NAME       | MATERIAL                           | QTY            | FINISH                  | NOTE |
|      | DATE             |           | SCALE     | UNIT      |                |                 |                                    |                |                         |      |
|      | Apr. 12. 2010    |           | 5/1       | mm (INCH) |                |                 |                                    |                |                         |      |
|      | APP. DATE & REV. |           |           |           |                |                 |                                    |                |                         |      |
|      | DR.              | DE.       | CHK.      | CHK.      | APP.           |                 |                                    |                |                         |      |
|      | T. KAWANO        | T. KAWANO | H. AIZAWA | —         | K. KASHIO      |                 |                                    |                |                         |      |
|      |                  |           |           |           |                | NAME            | 6 pos. receptacle connector (RoHS) |                |                         |      |
|      |                  |           |           |           |                | PART NO.        | TAK-A6LMDG ( ) ( ) - ( ) F+        |                | REV.                    |      |