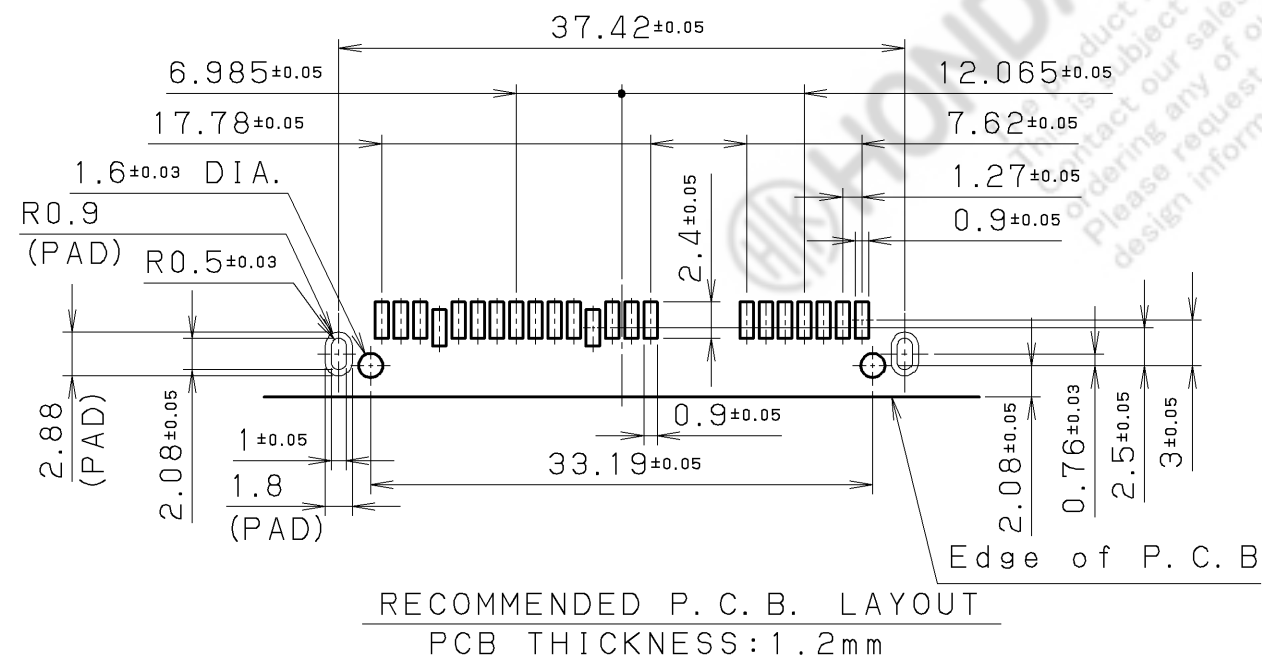


NOTE 1. CONTACT PLATING:
CONTACT AREA: GOLD 0.2μm MIN.
TERMINATION AREA: GOLD 0.05μm MIN.
ALL OVER NICKEL UNDERPLATED.

2. CONNECTOR PIN ASSIGNMENTS

• S1 - GROUND	• P1 - 3.3V
• S2 - A+	• P2 - 3.3V
• S3 - A-	• P3 - 3.3V
• S4 - GROUND	• P4 - GROUND
• S5 - B-	• P5 - GROUND
• S6 - B+	• P6 - GROUND
• S7 - GROUND	• P7 - 5V
	• P8 - 5V
	• P9 - 5V
	• P10 - GROUND
	• P11 - GROUND
	• P12 - GROUND
	• P13 - 12V
	• P14 - 12V
	• P15 - 12V

3. CONTACT COPLANARITY IS 0.1mm MAX.



3	BOARD LOCK	COPPER ALLOY	2	TIN						
2	CONTACT	COPPER ALLOY	22	SEE NOT#1						
1	INSULATOR	LCP	1		UL94V-0 BLACK					
LTR.	DATE	BY	REV.	DESCRIPT	No.	PART NAME	MATERIAL	QTY	FINISH	NOTE
	Oct.26.2007		2/1		3RD. A. P	HONDA TSUSHIN KOGYO CO., LTD.				
	APP. DATE&REV.									
	DR.	DE.	CHK.	CHK.	APP.	NAME	SERIAL ATA HOST RECEPTACLE CONNECTOR			
	M. KASAHARA	M. KASAHARA	K. TAKAHASHI		K. KASAI	PART NO.	HSA-SP22LFYG1			REV.