

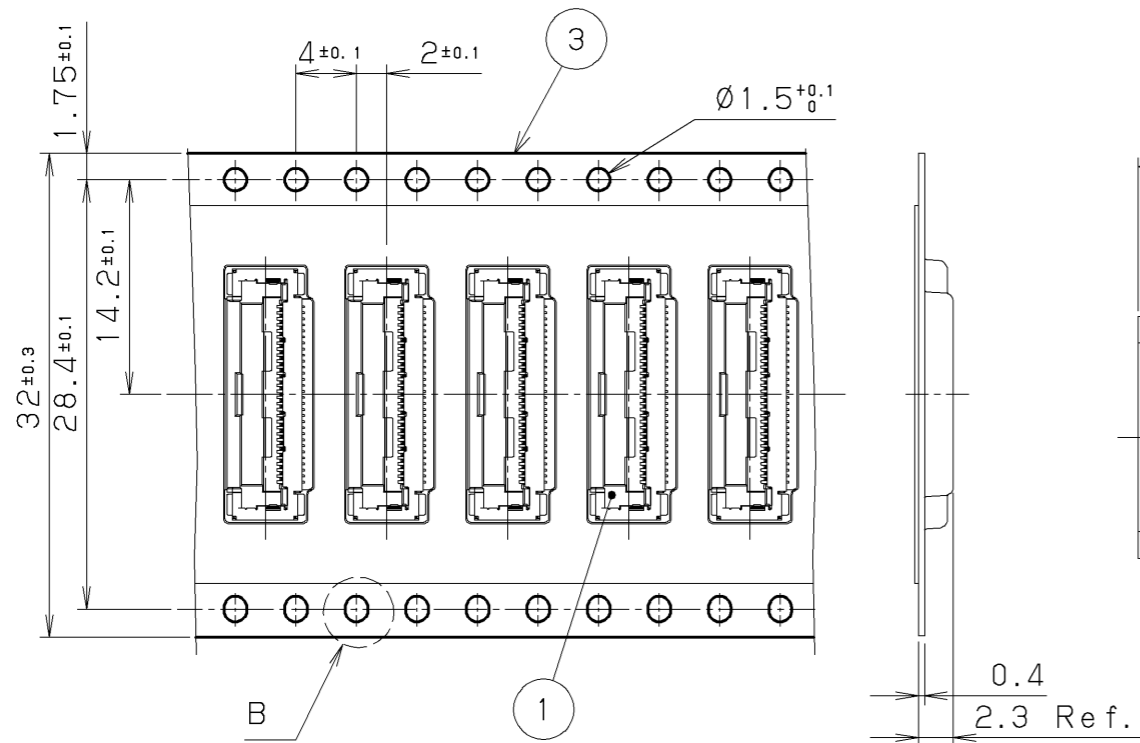
- Note
- Contact plating
Contact area: Gold 0.1μm min.
Terminal area: Gold flash.
Underplating: Nickel.
Nickel barrier plating is applied to prevent solder wicking.
 - Mating connector
P/N: LVX-A (n) LMSG+
 - This connector complies with RoHS.

HONDA
PRINT RM
Apr. 17, 2007
ISSUED

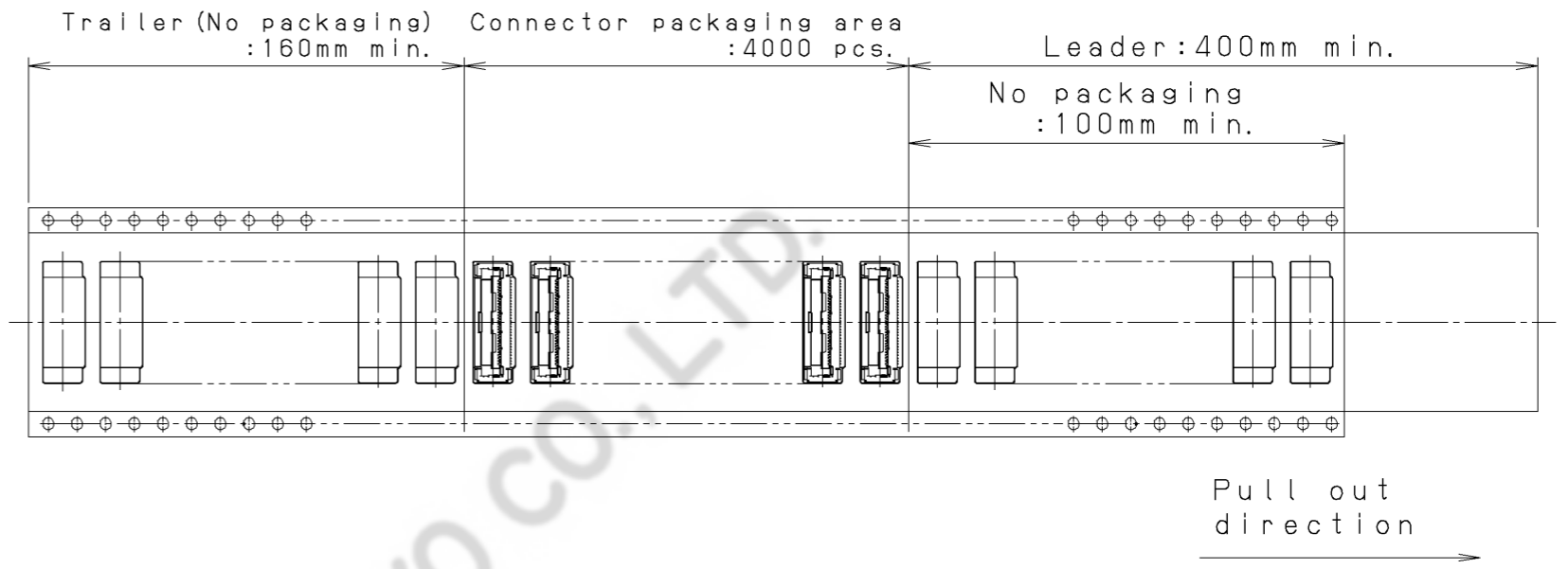
Part No.	n	A	B	C	E	F	G	H
LVX-A30SFYG+	30	16.6	11.6	14.6	9	16.8	12.6	11.9
LVX-A40SFYG+	40	20.6	15.6	18.6	10.2	20.8	16.6	15.9

LTR.	DATE	BY	REV.	DESCRPT	No.	PART NAME	MATERIAL	QTY	FINISH	NOTE
					3	Contact	Copper alloy	n	See note 1.	
					2	Shell	Stainless steel	1	Tin plating	
	Apr. 17 (2007)	S. W	Revise.	Change P.C.B. layout.	1	Insulator	LCP Resin	1		UL94V-0 Black

DATE	SCALE	UNIT	3RD. A. P	HONDA TSUSHIN KOGYO CO., LTD.			
Jul. 22, 2004	5/1	mm (INCH)					
APP. DATE & REV.	DR.	DE.	CHK.	CHK.	APP.	NAME	0.4mm Pitch Fine Coaxial Board Receptacle (RoHS)
	S. WATANABE	S. WATANABE	K. TAKAHASHI		K. KASAI	PART NO.	LVX-A (n) SFYG+
						REV.	7J

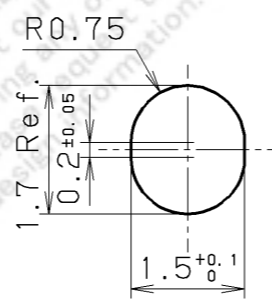
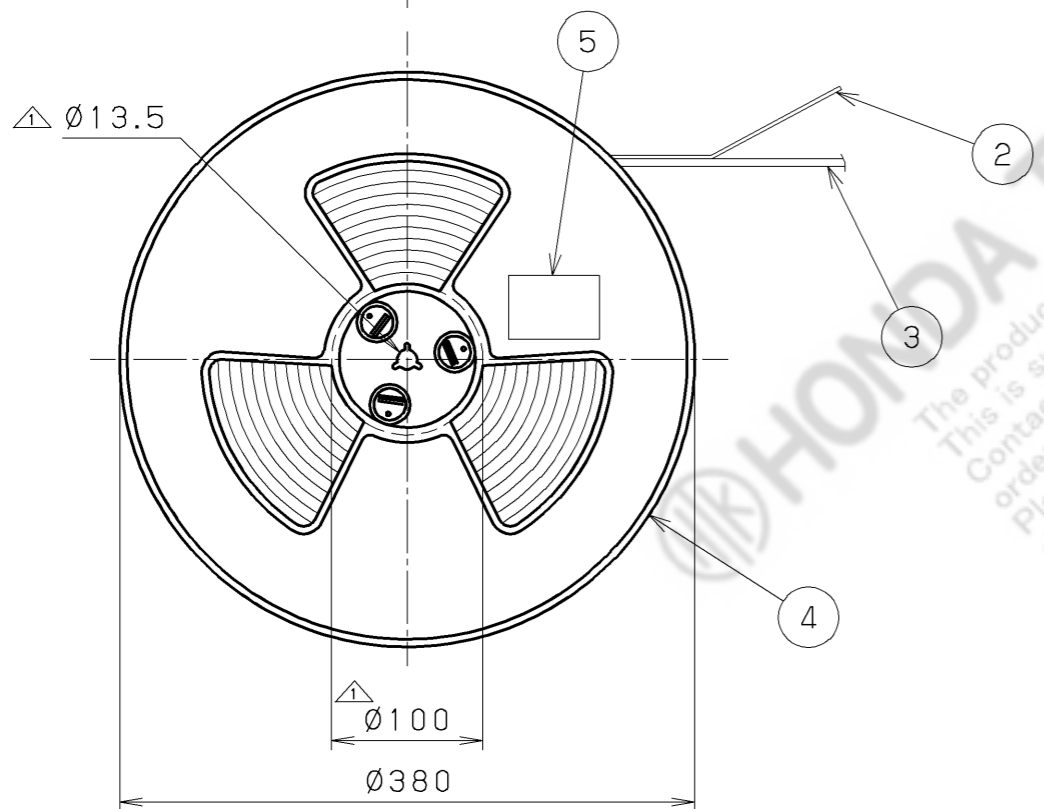


Detail A (Scale=2/1)



Note 1. This connector complies with RoHS.

Part No.	n	Receptacle part No.
LVX-A30SFYG-TP+	30	LVX-A30SFYG+
LVX-A40SFYG-TP+	40	LVX-A40SFYG+



Detail B (Scale=10/1)

HONDA
PRINT RM
Sep. 29, 2005
ISSUED

QTY	MATERIAL	DESCRIPTION	REVISION	DATE	BY
1	Paper	Label	5		
1	△PS Resin	Reel	4		
1	PS Resin	Embossed tape	3		
1	PET Film	Cover tape	2		
4000		Board receptacle	1	Sep. 29 (2005)	S. W

LTR.	DATE	BY	REV.	DESCRIPT	No.	PART NAME	MATERIAL	QTY	FINISH	NOTE
	Jul. 22, 2004									
APP. DATE & REV.						HONDA TSUSHIN KOGYO CO., LTD.				
DR.	DE.	CHK.	CHK.	APP.	NAME		0.4mm Pitch Fine Coaxial Board Receptacle with embossed tape and reel (RoHS)			
S. WATANABE	S. WATANABE	K. KASAI		K. OHNISHI	PART NO.		LVX-A (n) SFYG-TP+		REV.	1 F