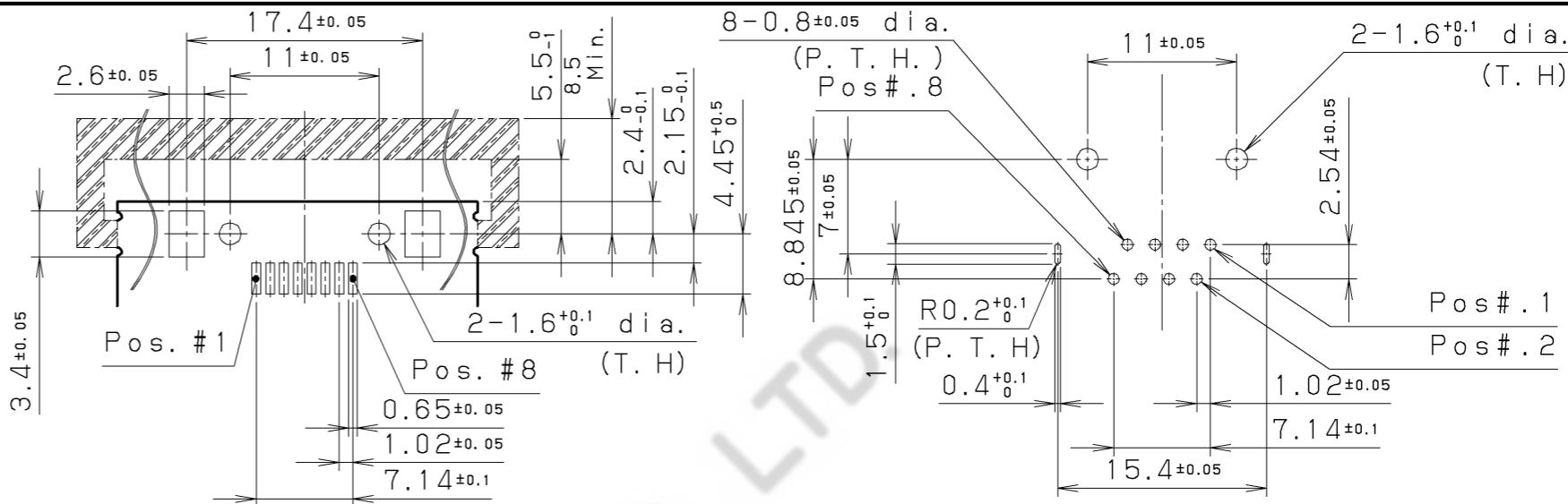


Recommended panel cut-out dimensions (Thickness: 1.2mm~1.6mm)

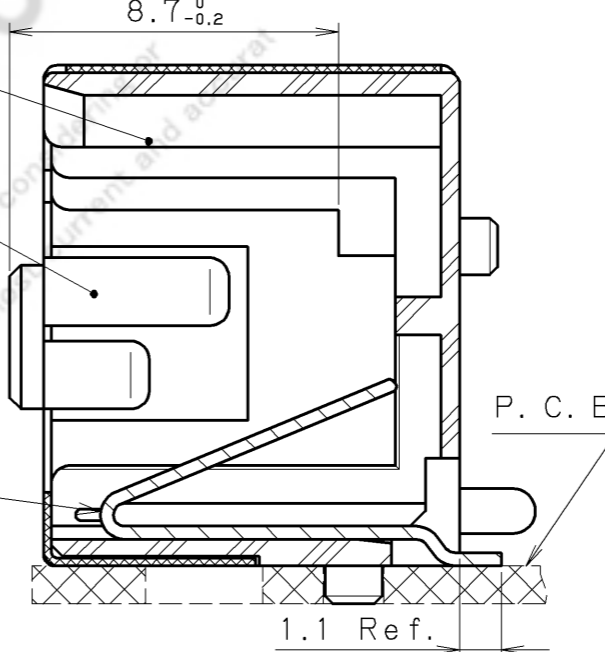
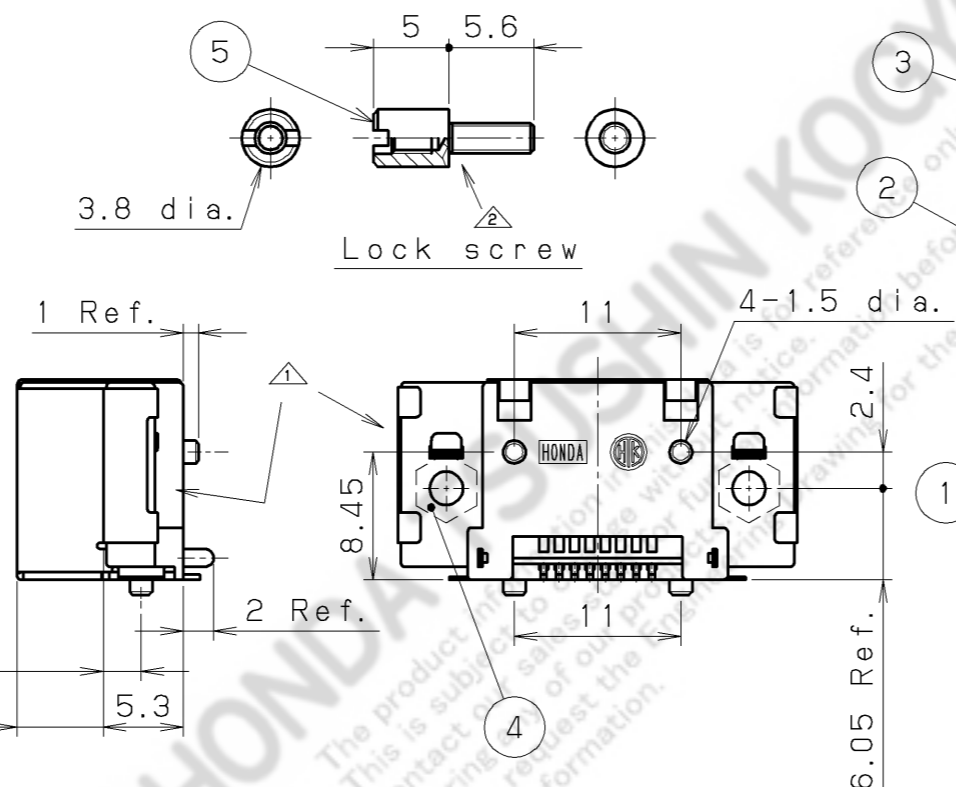
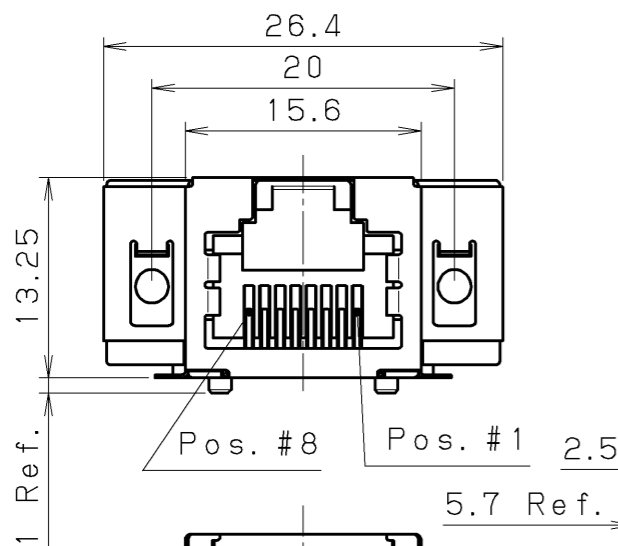
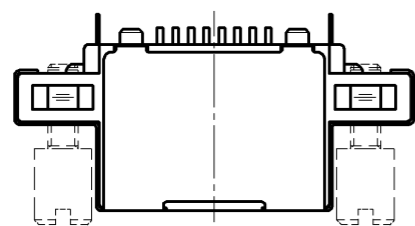


RoHS compliant

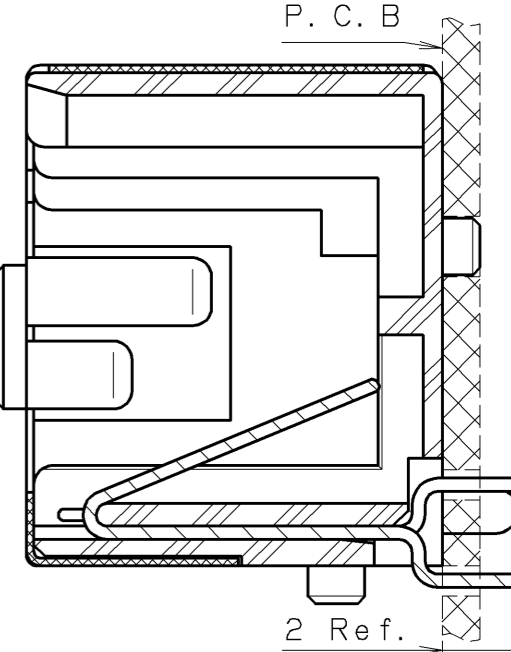


8-8 Modular Jack right angle SMT type of recommended P.C.B layout (Thickness: 1mm)

8-8 Modular Jack straight DIP type of recommended P.C.B layout (Thickness: 1mm~1.6mm)



8-8 Modular Jack right angle SMT type P/N:MOD-YSJ88YA03C+  $\Delta$



8-8 Modular Jack straight DIP type P/N:MOD-YSJ88D03C+  $\Delta$

- Note
- Contact plating  
Contact area: Gold 1.27 $\mu$ m over  $\Delta$   
Termination area: Gold (0.05 $\mu$ m)  
Underplating: Nickel
  - Mating plug  
① MOD-YSP88P03+  $\Delta$   
(for Gigabit-Ethernet plug)  
② 8-8 Modular plug

- This drawing shows assembled. However, two lock screws are separately supplied with connector.
- $\Delta$  area indicates support for connector during soldering assembly process. Design to breakaway after assembly.
- Recommended lock screw installation: Tighten lock screw with 0.18N·m torque after loctite is applied onto the thread for the prevention of screw looseness.

$\Delta$				5	Lock screw	Steel	2	Nickel plating		
$\Delta$	Oct.31 2006	Y. O	Change shape	4	HEX. NUT	Steel	2	Nickel plating	JIS B1181 CLASS 2 M2	
$\Delta$	Oct.18 2005	Y. O	Change shape	1	Contact	Phosphor bronze	8	See Note #1	UL94V-0 Black	
LTR.	DATE	BY	REV.	DESCRPT	No.	PART NAME	MATERIAL	QTY	FINISH	NOTE
	DATE	SCALE	UNIT							
	May.11.2005	2 / 1	mm (INCH)							
	APP. DATE&REV.									
	DR.	DE.	CHK.	CHK.	APP.					
	Y. OHKI	Y. OHKI	T. SOGO	T. SATO	S. FURUSAWA					
						NAME	Gigabit-Ethernet Jack (RoHS)			
						PART NO.	MOD-YSJ88 ( ) 03C+ $\Delta$			REV. 2B