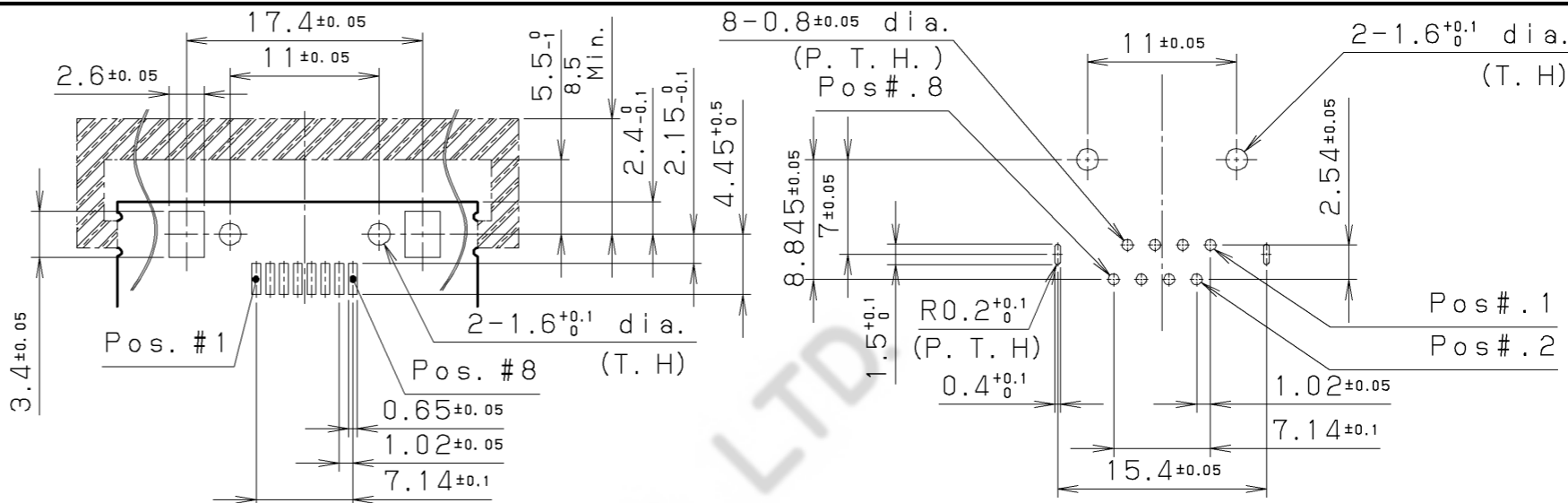


Recommended panel cut-out dimensions (Thickness: 1.2mm~1.6mm)

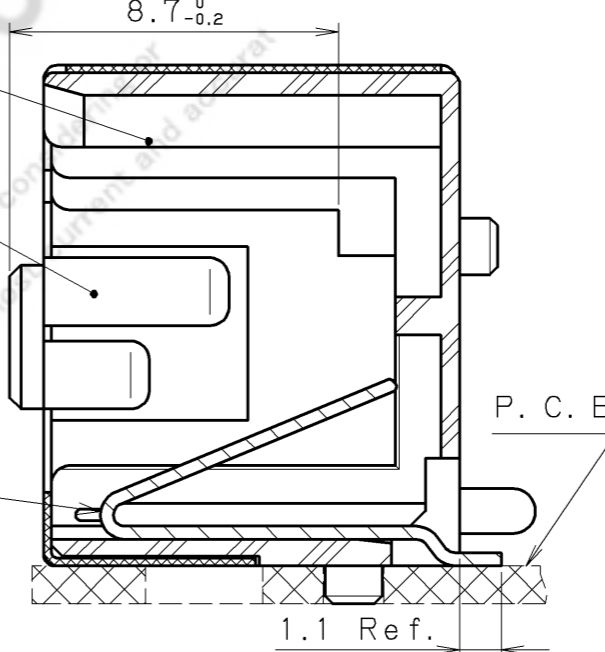
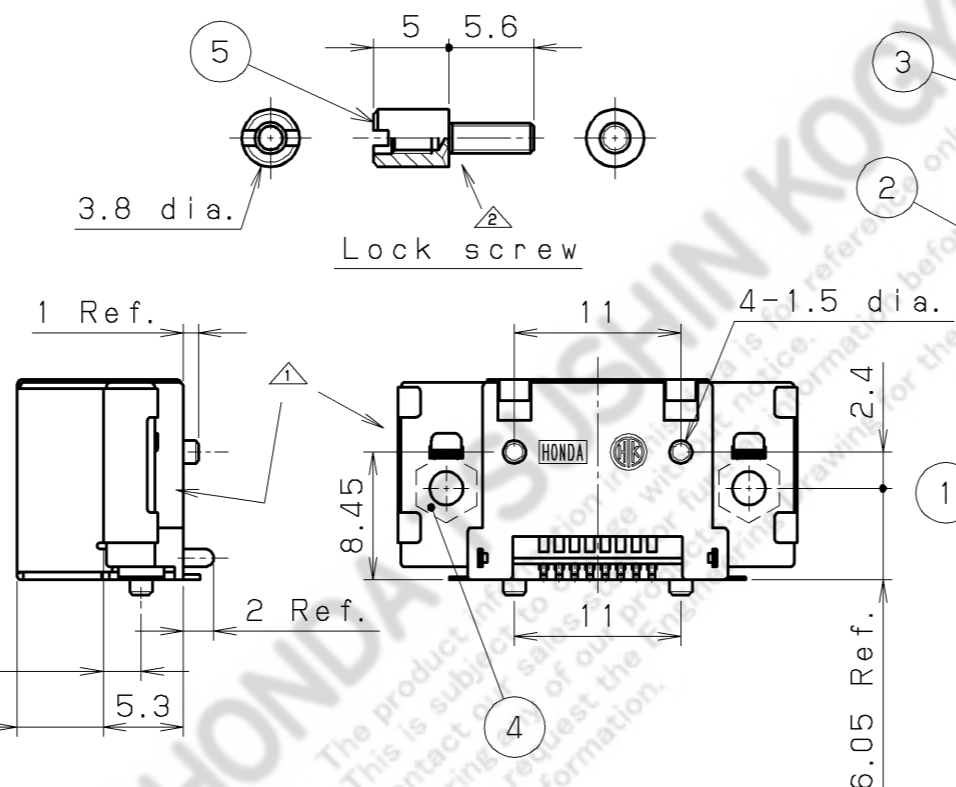
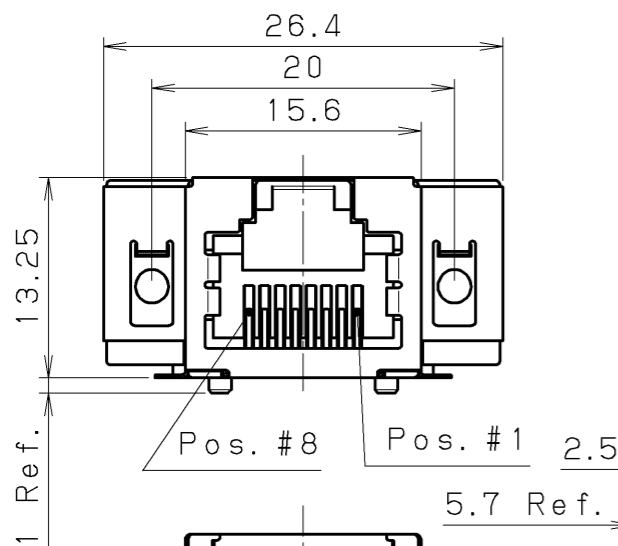
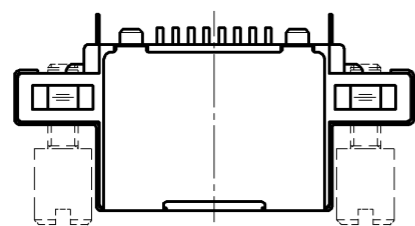


RoHS compliant

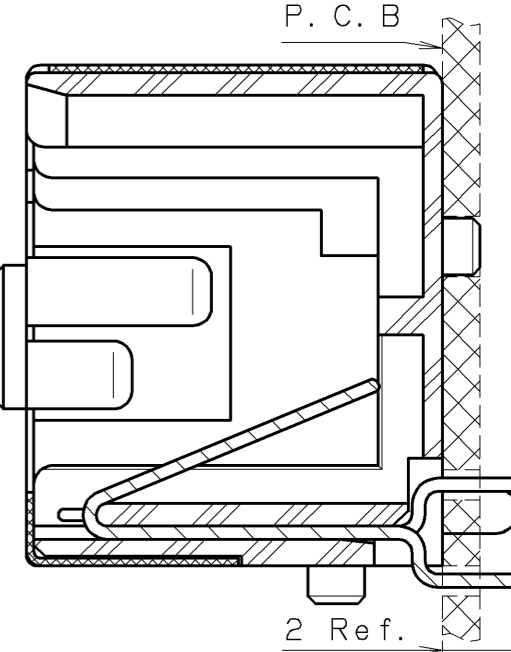


8-8 Modular Jack right angle SMT type of recommended P.C.B layout (Thickness: 1mm)

8-8 Modular Jack straight DIP type of recommended P.C.B layout (Thickness: 1mm~1.6mm)



8-8 Modular Jack right angle SMT type P/N:MOD-YSJ88YA03C+ Δ



8-8 Modular Jack straight DIP type P/N:MOD-YSJ88D03C+ Δ

- Note
- Contact plating
Contact area: Gold 1.27 μ m over Δ
Termination area: Gold (0.05 μ m)
Underplating: Nickel
 - Mating plug
① MOD-YSP88P03+ Δ
(for Gigabit-Ethernet plug)
② 8-8 Modular plug

- This drawing shows assembled. However, two lock screws are separately supplied with connector.
- Δ area indicates support for connector during soldering assembly process. Design to breakaway after assembly.
- Recommended lock screw installation: Tighten lock screw with 0.18N·m torque after loctite is applied onto the thread for the prevention of screw looseness.

Δ				5	Lock screw	Steel	2	Nickel plating	
Δ	Oct.31 2006	Y. O	Change shape	4	HEX. NUT	Steel	2	Nickel plating	JIS B1181 CLASS 2 M2
Δ	Oct.18 2005	Y. O	Change shape	1	Contact	Phosphor bronze	8	See Note #1	UL94V-0 Black
				3	Insulator	PA9T (GF)	1		
				2	Shell	Brass	1	Tin plating	

LTR.	DATE	BY	REV.	DESCRIPT	No.	PART NAME	MATERIAL	QTY	FINISH	NOTE
	DATE		SCALE		UNIT					
	May.11.2005		2 / 1		mm (INCH)	3RD. A. P				
	APP. DATE&REV.									
	DR.	DE.	CHK.	CHK.	APP.					
	Y. OHKI	Y. OHKI	T. SOGO	T. SATO	S. FURUSAWA					
						NAME	Gigabit-Ethernet Jack (RoHS)			
						PART NO.	MOD-YSJ88 () 03C+ Δ			REV. 2B