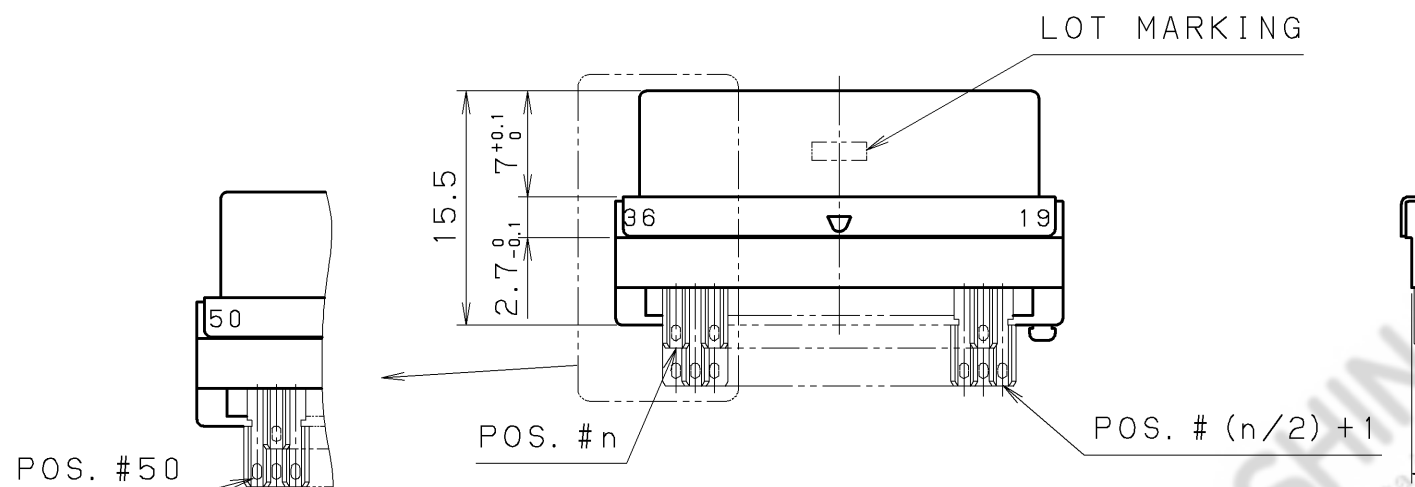
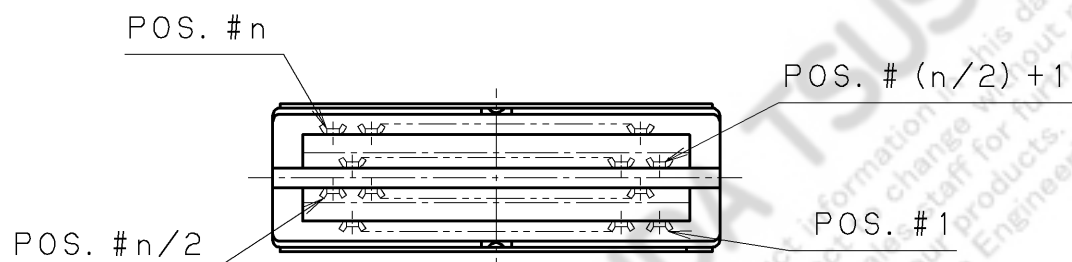


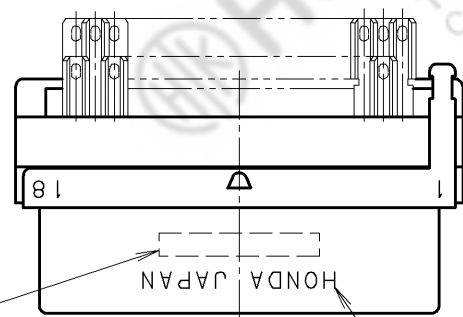
PART No.	n	A	B	C	D	IDENTIFICATION MARKING
PCR-S20FS+	20	19.40	13.35	1.27x9=11.43	16.25	PCR-S20FS
PCR-S28FS+	28	24.48	18.43	1.27x13=16.51	21.33	PCR-S28FS
PCR-S36FS+	36	29.56	23.51	1.27x17=21.59	26.41	PCR-S36FS
PCR-S50FS+	50	38.45	32.40	1.27x24=30.48	35.30	PCR-S50FS
PCR-S80FS+	80	57.50	51.45	1.27x39=49.53	54.35	PCR-S80FS



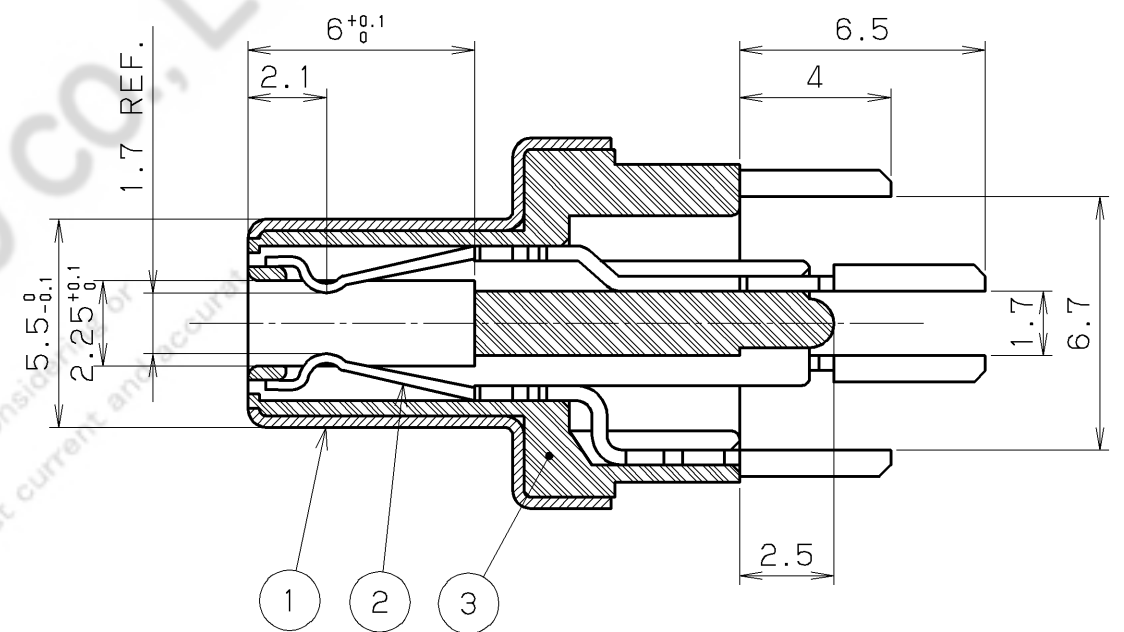
PCR-S50FS+



MARKING
(IDENTIFICATION)



HONDA JAPAN MARKING



CONTACT DETAIL (5/1)

NOTE 1. CONTACT PLATING
CONTACT AREA: GOLD 0.2μm MIN.
TERMINATION AREA: GOLD
UNDERPLATING: NICKEL

RoHS COMPLIANT

LTR.	DATE	BY	REV.	DESCRIP	No.	PART NAME	MATERIAL	QTY	FINISH	NOTE
△					3	INSULATOR	PPS	1	—	UL94V-0 BLACK
△					2	CONTACT	PHOSPHOR BRONZE	n	SEE NOTE #1	—
△					1	SHELL	STEEL	1	NICKEL	—
DATE					SCALE	UNIT	3RD. A. P			
MAR. 31. 2004					2 / 1	mm (INCH)	HONDA TSUSHIN KOGYO CO., LTD.			
APP. DATE & REV.					NAME		1.27mm SPACING (RoHS)			
DR.	DE.	CHK.	CHK.	APP.	PART NO.		FEMALE CONNECTOR FOR SOLDER TYPE			
T. KAWANO	T. KAWANO	T. SOGO	T. SATO	S. FURUSAWA	PCR-S () FS+		REV.			