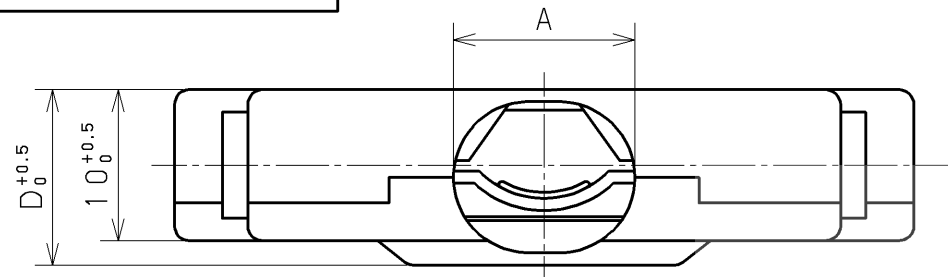
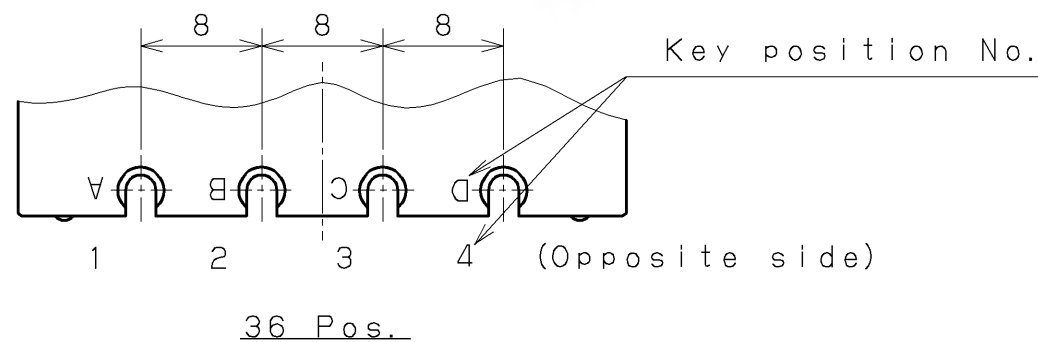
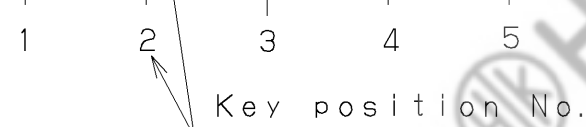
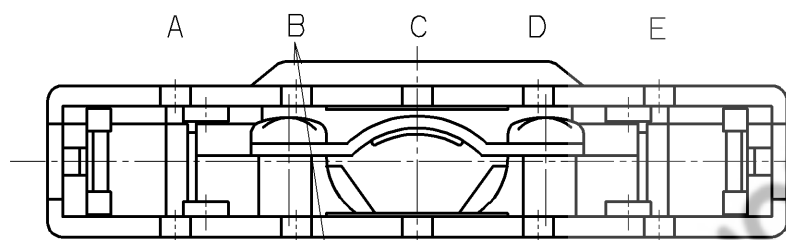
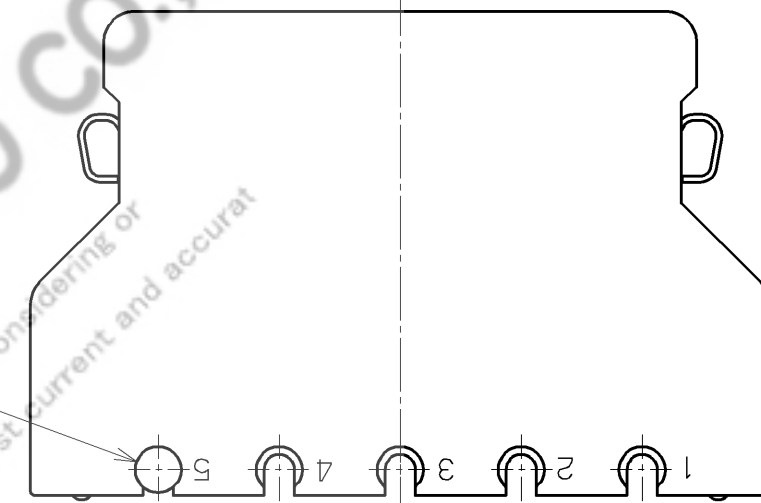
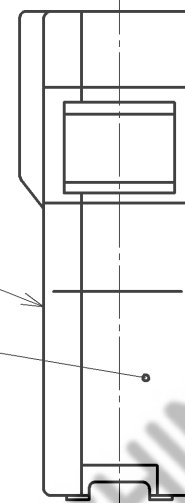
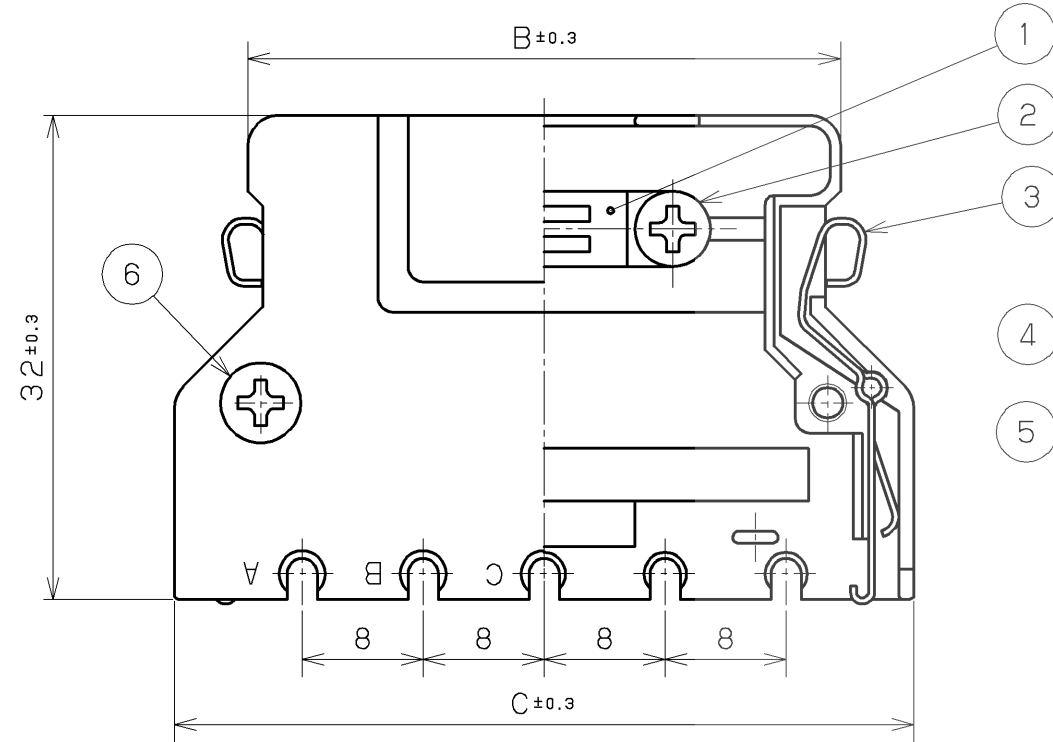


RoHS COMPLIANT



Part No.	No. of Pos.	Dimensions				Applicable cable jacket O.D.	Standard key positions (4 type.)
		A	B	C	D		
PCS-E36LKPA-()+R	36	10x11	30.5	40.2	11.6	8.0	1D, 2C, 3B, 4A
PCS-E36LKPB-()+R		10x11				10.5	
PCS-E50LKPA-()+R	50	10x12	39.2	48.9		10.0	1E, 2D, 4B, 5A
PCS-E50LKPC-()+R		10x12				11.5	
PCS-E68LKPA-()+R	68	10x13	50.6	60.3		12.0	1E, 2D, 4B, 5A
PCS-E68LKPB-()+R		10x13			10.0		
PCS-E80LKPA-()+R	80	10x10	58.2	67.9	9.5	1E, 2D, 4B, 5A	
PCS-E80LKPB-()+R		15x13.6			15.0		13.0



Note.

1. Part No. PCS-E (No. of Pos.) LKP () - () +R

Standard key position (See table)

PCS-E (No. of Pos.) LKP () +R : Without all keying feature

7	Key rivet	Brass	(2)	Nickel Plating	P/N: PCS-E-PK
6	Flat head screw	steel	2	Nickel Plating	M2.5
5	Cover A	Zinc alloy	1	Nickel Plating	—
4	Cover B	Zinc alloy	1	Nickel Plating	—
3	Spring lock	Stainless steel	2	—	—
2	Span head screw	steel	2	Nickel Plating	M2.5
1	Cable clamp	Stainless steel	1	—	—

LTR.	DATE	BY	REV.	DESCRIPT	No.	PART NAME	MATERIAL	QTY	FINISH	NOTE
△										
△										
△										

DATE	SCALE	UNIT	3RD. A. P	HONDA TSUSHIN KOGYO CO., LTD.						
Dec.19 (2007)	2/1	mm (INCH)								
APP. DATE&REV.				DR.	DE.	CHK.	CHK.	APP.	NAME	PCS-E TYPE CABLE COVER (RoHS)
				T. KAWANO	T. KAWANO	T. SOGO	T. SATO	S. FURUSAWA	PART NO.	PCS-E () LKP () +R
									REV.	