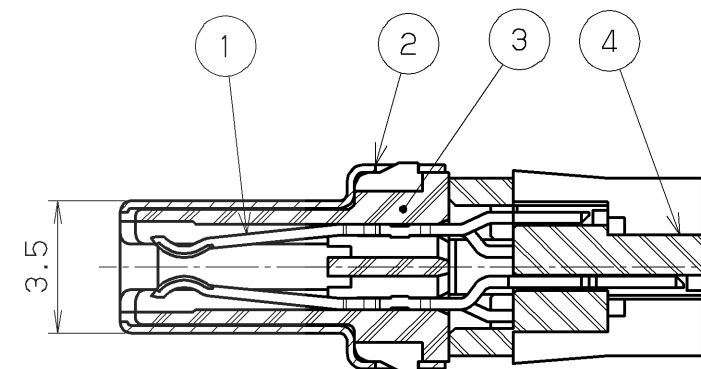
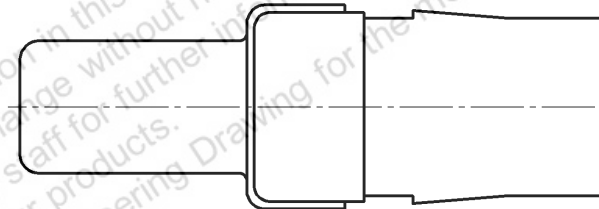
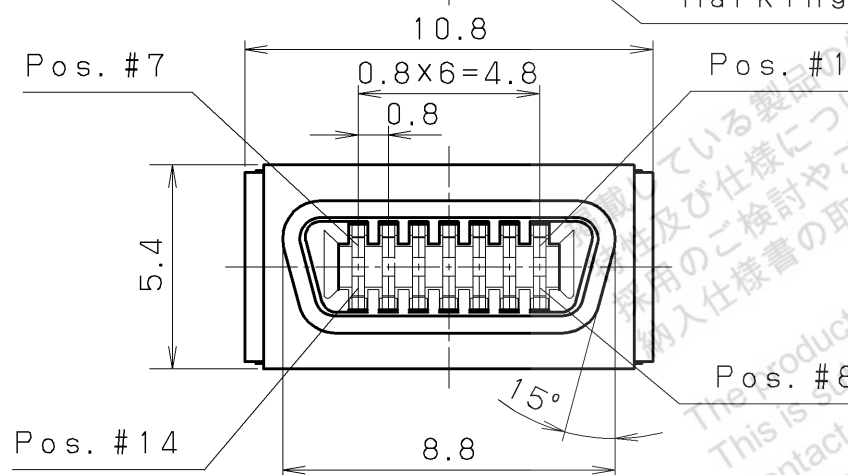


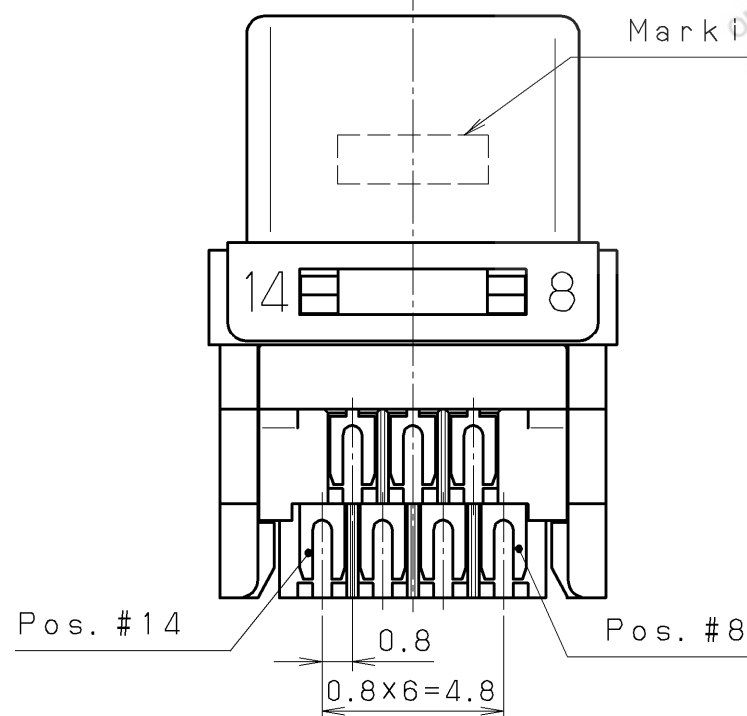
Note 1. Contact plating  
 Mating area: 0.76 micro meters minimum gold plating  
 Termination area: 0.05 micro meters gold plating  
 Underplating: Nickel plating

2. Applicable cable cover  
 P/N: HDR-E14LPH  
 HDR-E14LPH ( ) +

3. Mating connector  
 P/N: HDR-EA14LMY ( ) - ( ) +  
 HDR-E14M ( ) G1+  
 HDR-E14MS ( ) +



Contact detail



					4	Spacer	PA9T (GF)	1		UL94V-0 Black
					3	Insulator	PA9T (GF)	1		UL94V-0 Black
					2	Shell	Steel	1	Nickel plating	
					1	Contact	Phosphor bronze	14	Note. #1	
LTR.	DATE	BY	REV.	DESCRIPT	No.	PART NAME	MATERIAL	QTY	FINISH	NOTE
	DATE		SCALE		UNIT	3RD. A. P	HONDA TSUSHIN KOGYO CO., LTD.			
	Mar. 12, 2009		5/1		mm (INCH)					
	APP. DATE&REV.									
	DR.	DE.	CHK.	CHK.	APP.	NAME	0.8mm spacing shielded female cable connector (RoHS)			
	H. AIZAWA	H. AIZAWA	M. KASHIHARA	—	K. KASAI	PART NO.	HDR-E14FSG1+			REV.