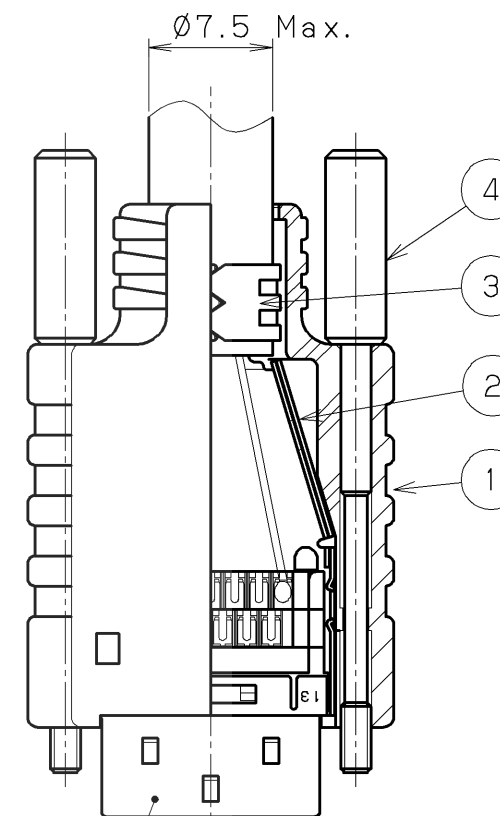
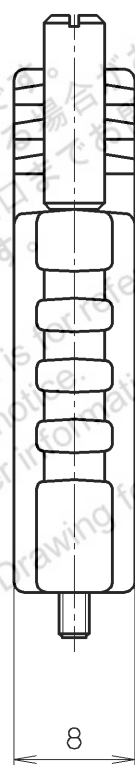
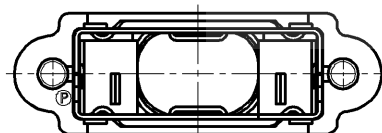


SCREW SIZE
M2x0.4



CONNECTOR
HDR-E26F () G () +
HDR-E26M () G () +

AFTER ASSEMBLY DRAWING



					4	THUMB SCREW	STEEL	2	NICKEL PLATING	——
△3					3	INNER SHELL A	STEEL	1	NICKEL PLATING	——
△2					2	INNER SHELL B	STEEL	1	NICKEL PLATING	——
△1					1	PLASTIC COVER	PBT RESIN	1	——	UL94V-0 BLACK
LTR.	DATE	BY	REV.	DESCRIPT	No.	PART NAME	MATERIAL	QTY	FINISH	NOTE
DATE		SCALE		UNIT		3RD. A. P				
July.25.2017		2 / 1		mm (INCH)		HTK HONDA TSUSHIN KOGYO CO., LTD.				
APP. DATE&REV.						NAME		HDR-E TYPE CABLE COVER		
DR.	DE.	CHK.	CHK.	APP.	PART NO.		HDR-E26LPMP+			REV.
S. MURAKAMI	S. MURAKAMI	S. YOSHIDA	——	Y. KATO						