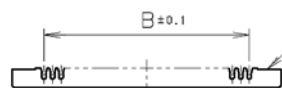
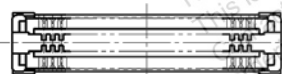
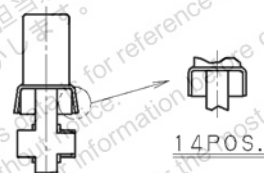
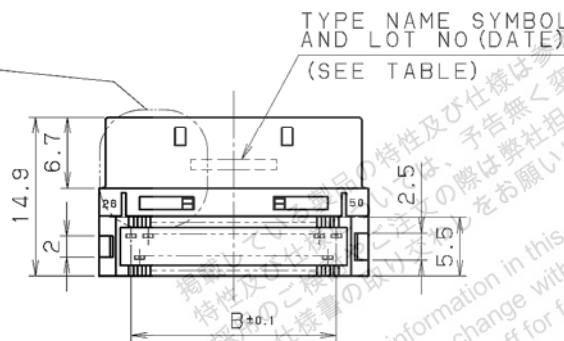
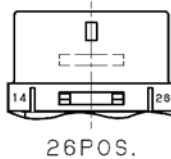
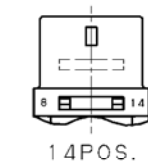


1. CONTACT PLATING  
MATING AREA : 0.76 MICRO METERS MINIMUM GOLD PLATING  
TERMINATION AREA : 0.05 MICRO METERS MINIMUM GOLD PLATING  
UNDERPLATING: NICKEL PLATING
2. APPLICABLE HOOD  
HDR-E ( ) LP ( )
3. MATING CONNECTOR  
HDR-EA ( ) LFY ( ) G1+  
HDR-EC ( ) LFD ( ) +
4. ASSEMBLY TOOLS  
WIRE ARRANGING TOOL: FHAT 0029  
IDC PRESS TOOL: FHPT 923B
5. SPECIFICATION  
RATED CURRENT 0.5A  
RATED VOLTAGE 125V AC (r. m. s.)



PART NO.	APPLICABLE WIRE SIZE	SYMBOL	CABLE HOUSING COLOR
HDR-E ( ) MG1+	28AWG (7/0.127) INSULATION O. D Ø0.58	MG1:50 POS. G1:14, 26 POS.	BLACK
HDR-E ( ) MAG1+	30AWG (7/0.1) INSULATION O. D Ø0.58	MAG1:50 POS. AG1:14, 26 POS.	BLACK
HDR-E ( ) MBG1+	32AWG (7/0.08) INSULATION O. D Ø0.44	MBG1:50 POS. BG1:14, 26 POS.	GLAY
△ HDR-E ( ) MBAG1+	32AWG (7/0.08) INSULATION O. D Ø0.58	MBG1:50 POS. BG1:14, 26 POS.	BLACK

LTR.	DATE	BY	REV.	DESCRPT	No.	PART NAME	MATERIAL	QTY	FINISH	NOTE
					5	CABLE HOUSING	PBT	2	---	UL94V-0 SEE TABLE
					4	SPACER	PBT	2	---	UL94V-0 BLACK
					3	INSULATOR	PBT	1	---	UL94V-0 BLACK
					2	SHELL	STEEL	1	NICKEL PLATING	---
					1	MALE CONTACT	PHOSPHOR BRONZE	n	NOTE#1	---
	Jun. 23 2005	Y. K	REVISED							
	DATE	SCALE	UNIT							
	Mar. 29. 2004	2 / 1	mm (INCH)	3RD. A. P						HONDA TSUSHIN KOGYO CO., LTD.
	DR.	DE.	CHK.	CHK.	APP.					0.8mm SPACING SHIELDED BOARD TO CABLE MALE CONNECTOR (IDC)
	Y. KATO	Y. KATO	---	C. NUNOKAWA	H. EBIHARA					PART NO. HDR-E ( ) M ( ) G1+ REV. 1A

PART NO.	n NO. OF POS.	A	B	C
HDR-E50M ( ) G1+	50	25.2	0.8×24=19.2	23.4
HDR-E26M ( ) G1+	26	15.6	0.8×12=9.6	13.8
HDR-E14M ( ) G1+	14	10.8	0.8×6=4.8	9.0
PART NO.	n NO. OF POS.	DIMENSION		
		A	B	C