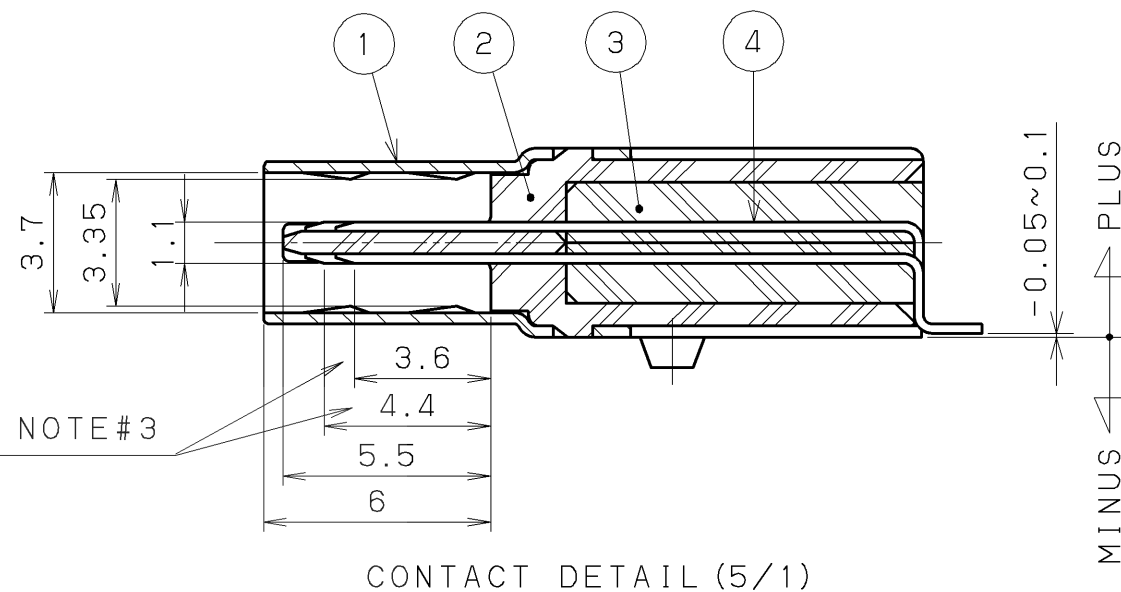
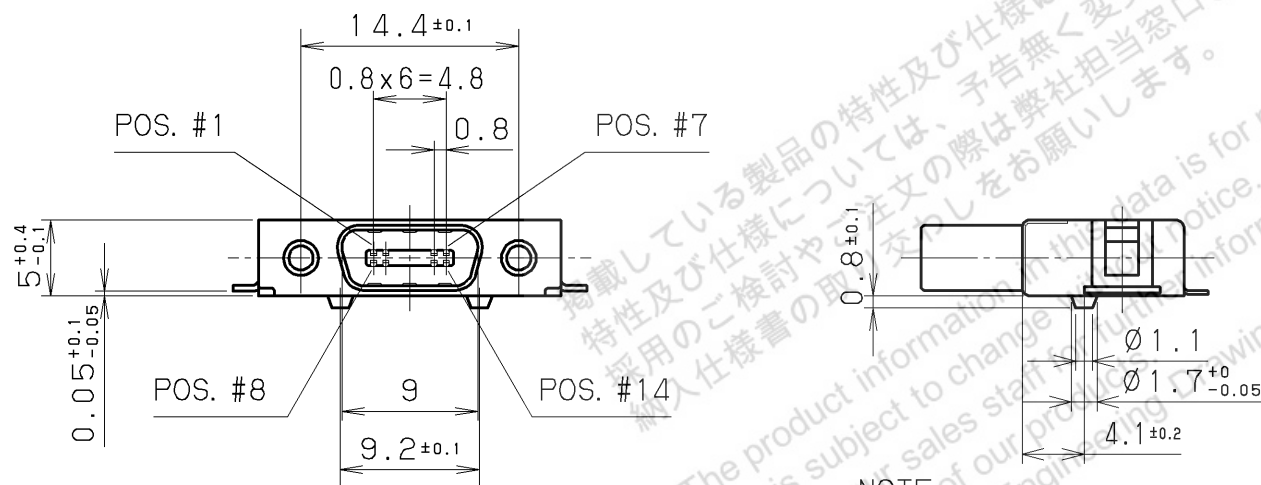


3. CONTACT SEQUENCE

CONTACT LENGTH	CONTACT POS. NO.
4.4 mm	POS. #1, 7, 8, 14
3.6 mm	OTHERS



CONTACT DETAIL (5/1)



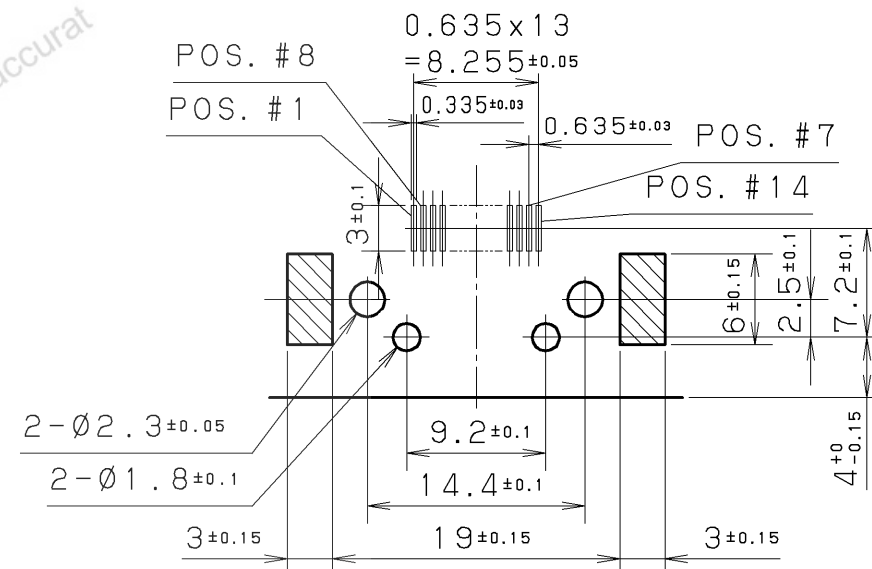
NOTE

1. SPECIFICATION

RATED CURRENT: 0.5A
RATED VOLTAGE: 125V AC (r. m. s.)

2. CONTACT PLATING

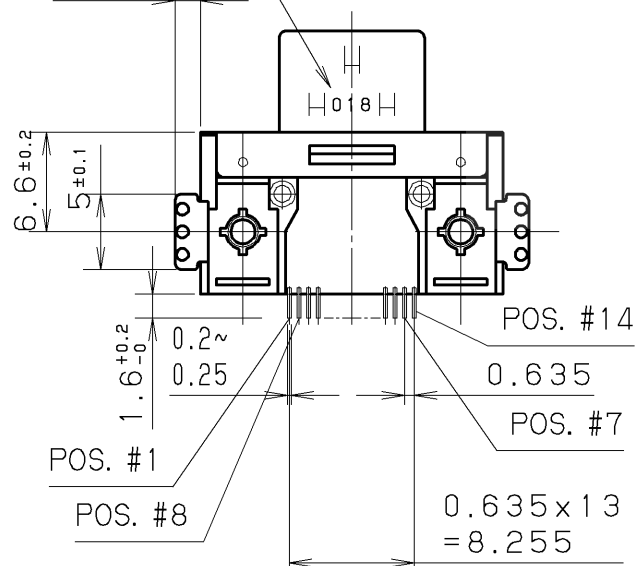
0.76μm MIN. GOLD ON MATING AREA,
0.05μm GOLD ON TERMINATION AREA,
ALL OVER 1.5μm MIN. NICKEL UNDERPLATED.



RECOMMENDED P. C. B. LAYOUT

LOT NO.

1.7±0.2



7	SQR. NUT	BRASS	2	NICKEL PLATING	M2x0.4
6	EARTH PLATE	PHOSPHOR BRONZE	2	NICKEL PLATING	—
5	HEX. NUT	STEEL	—	NICKEL PLATING	M2x0.4
4	CONTACT	PHOSPHOR BRONZE	14	NOTE#2	—
3	INSULATOR B	PPS (GF)	1	—	UL94V-0 BLACK COLOR
2	INSULATOR A	PPS (GF)	1	—	UL94V-0 BLACK COLOR
1	SHELL	STEEL	1	NICKEL PLATING	—

LTR.	DATE	BY	REV.	DESCRIPT	No.	PART NAME	MATERIAL	QTY	FINISH	NOTE
	DATE		SCALE		UNIT	3RD. A. P	HONDA TSUSHIN KOGYO CO., LTD.			
	Mar. 29(2004)		2 / 1		mm (INCH)					
	APP. DATE&REV.									
	DR.	DE.	CHK.	CHK.	APP.	NAME	0.8mm SPACING 14POS. RIGHTANGLE MALE CONNECTOR			REV.
	Y. KATO	Y. KATO	—	C. NUNOKAWA	H. EBIHARA	PART NO.	HDR-EA14LMYPG1+			