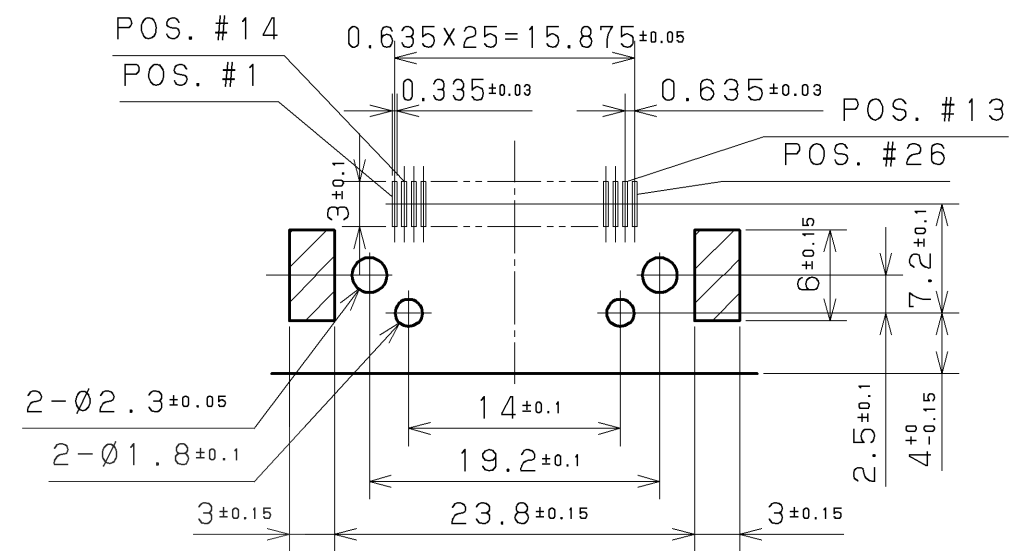
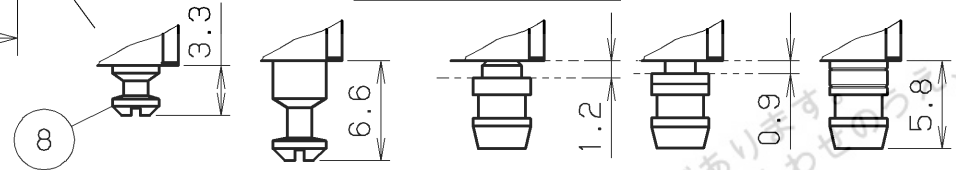


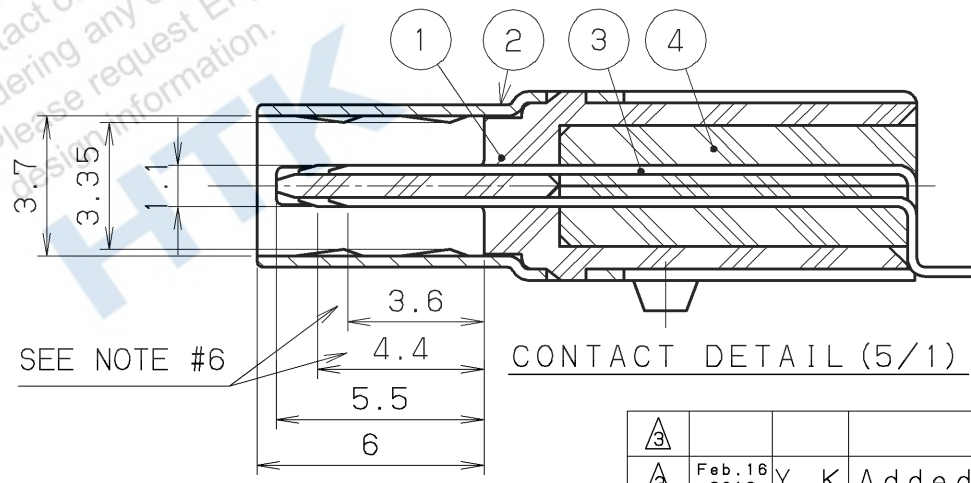
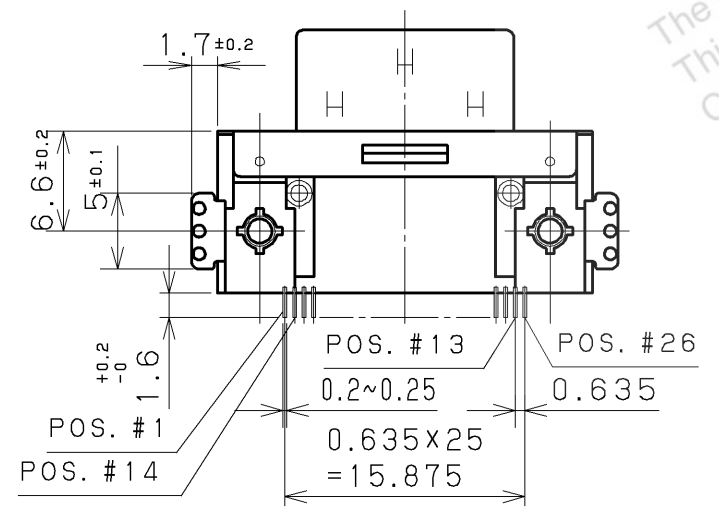
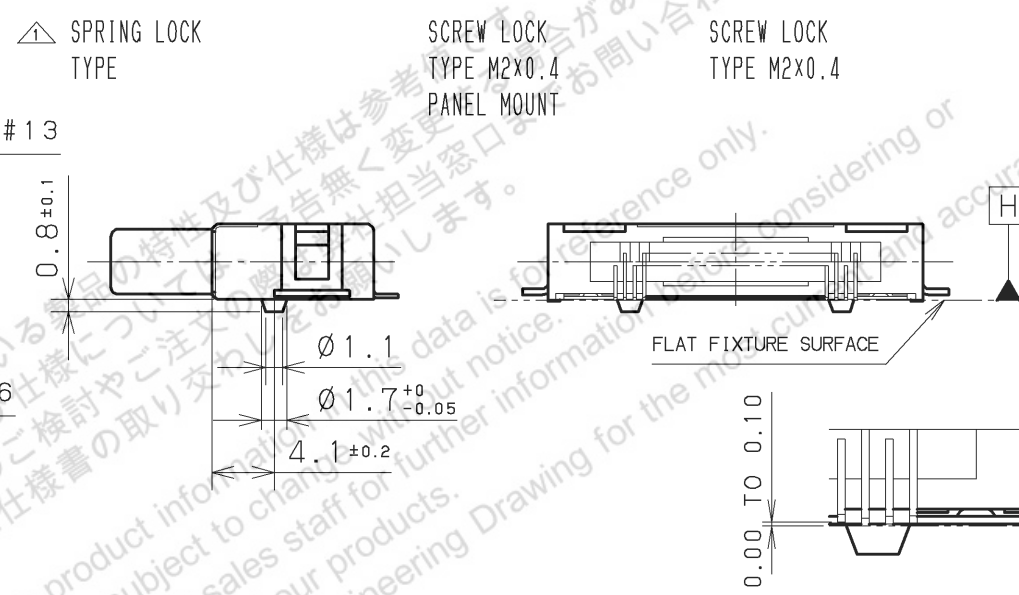
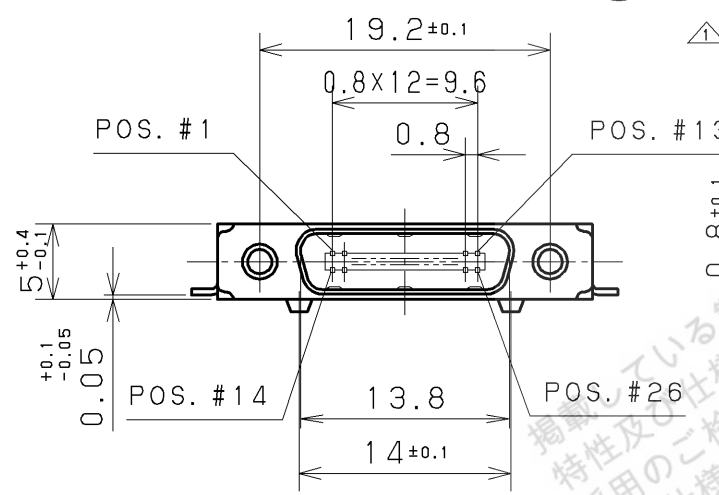
PART No.	TYPE	NOTE
HDR-EA26LMYPG1+		
HDR-EA26LMYPG1-SLD+	SCREW LOCK	
HDR-EA26LMYPG1-SLE+	SPRING LOCK TYPE (6.6)	
HDR-EA26LMYPG1-SLF+	SCREW LOCK (PANEL 0.9)	SEE NOTE. #4
HDR-EA26LMYPG1-SLG+	SCREW LOCK (PANEL 1.2)	SEE NOTE. #4
HDR-EA26LMYPG1-SLK+	SPRING LOCK TYPE (3.3)	

LOCK SCREWS



RECOMMENDED P.C.B. LAYOUT

- CONTACT PLATING  
MATING AREA  
0.76 MICRO METERS MINIMUM GOLD PLATING  
TERMINATION AREA  
0.05 MICRO METERS MINIMUM GOLD PLATING  
  
UNDERPLATING: NICKEL PLATING 1µm
- MATING CONNECTOR  
HDR-E26F ( ) G ( ) +
- SPECIFICATION  
RATED CURRENT 0.5A  
RATED VOLTAGE 125V AC (r. m. s.)
- TWO LOCK SCREWS ARE SUPPLIED WITH A CONNECTOR.
- THE DIMENSION OF PIN TAIL'S LOWER SURFACE TO DETUM 'H' SURFACE: 0.00 TO 0.10.  
THE CONECTOR SHOULD BE ON FLAT FIXTURE SURFACE WHEN THE DIMENSIONS ARE MEASURED.



6. CONTACT SEQUENCE

CONTACT LENGTH	CONTACT POS. NO.
4.4mm	POS. #1, 13, 14, 26
3.6mm	OTHERS

8	LOCK SCREW	STEEL	2	NICKEL PLATING	M2x0.4
7	HEX. NUT	STEEL	2	NICKEL PLATING	M2x0.4
6	EARTH PLATE	PHOSPHOR BRONZE	2	NICKEL PLATING	
5	SQR. NUT	BRASS	2	NICKEL PLATING	M2x0.4
4	INSULATOR B	PPS (GF)	1		UL94V-0 BLACK COLOR
3	CONTACT	PHOSPHOR BRONZE	26	SEE NOTE #2	
2	SHELL	STEEL	1	NICKEL PLATING	
1	INSULATOR A	PPS (GF)	1		UL94V-0 BLACK COLOR

REV.	DATE	BY	REV. DESCRIPT	No.	PART NAME	MATERIAL	QTY	FINISH	NOTE
△	Feb. 16 2012	Y. K	Added P/N	2	SHELL	STEEL	1	NICKEL PLATING	
△	Nov. 30 2005	Y. K	Revise	1	INSULATOR A	PPS (GF)	1		UL94V-0 BLACK COLOR

LTR.	DATE	BY	REV. DESCRIPT	No.	PART NAME	MATERIAL	QTY	FINISH	NOTE
	DATE		SCALE		UNIT				
	Feb. 23. 2004		2/1		mm (INCH)				
	APP. DATE&REV.								
	DR.	DE.	CHK.	CHK.	APP.				
	Y. KATO	Y. KATO		M. KASHIHARA	H. EBIHARA				
	NAME					0.8mm SPACING 26POS. RIGHTANGLE MALE CONNECTOR			
	PART NO.					HDR-EA26LMYPG1- ( ) +			
						REV. 2B			