

PART No.	TYPE	NOTE
HDR-EC ( ) FDTG2+		
HDR-EC ( ) FDTG2-SL+	SCREW LOCK (PANEL MOUNT)	SEE NOTE. #4
HDR-EC ( ) FDTG2-SLD+	SCREW LOCK TYPE	
HDR-EC ( ) FDTG2-SLE+	LATCH LOCK TYPE	
HDR-EC ( ) FDTG2-SLH+	LATCH LOCK (PANEL MOUNT)	SEE NOTE. #4

n (NO. OF POS.)	A	B	C	D	E	F
26	24.8	0.8x12=9.6	13.6	12.3	13.85	19.2
14	20	0.8x6=4.8	8.8	7.5	9.05	14.4

DIMENSIONS

NOTE

1. CONTACT PLATING

MATING AREA : 0.76 MICRO METERS MINIMUM GOLD PLATING  
 TERMINATION AREA : 0.05 MICRO METERS GOLD PLATING  
 UNDERPLATING : 1.3 MICRO METERS MINIMUM NICKEL PLATING

2. MATING CONNECTOR

HDR-E ( ) MAG ( ) +  
 HDR-E ( ) MSG ( ) +

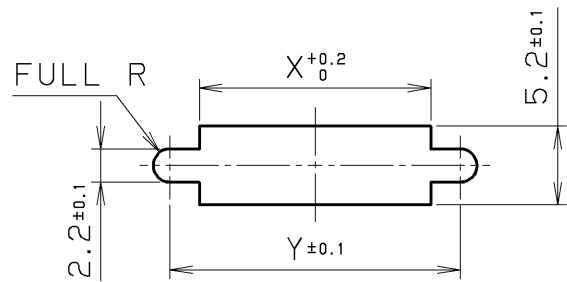
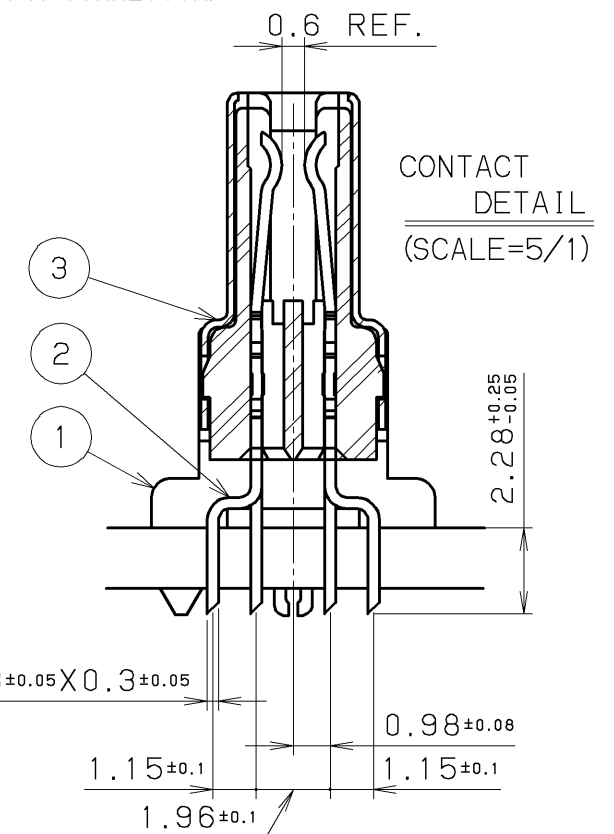
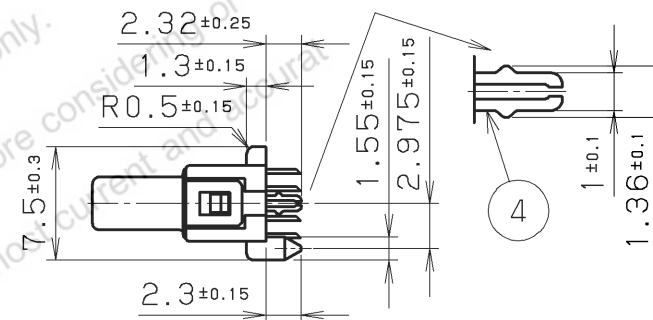
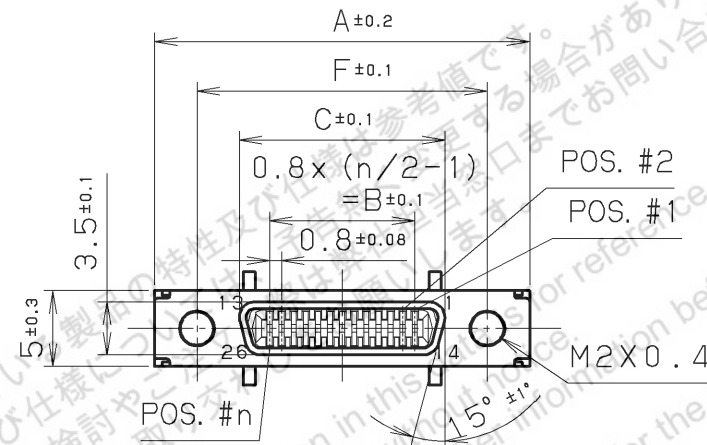
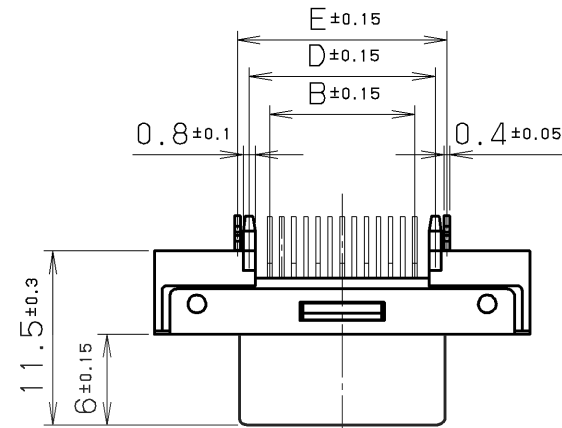
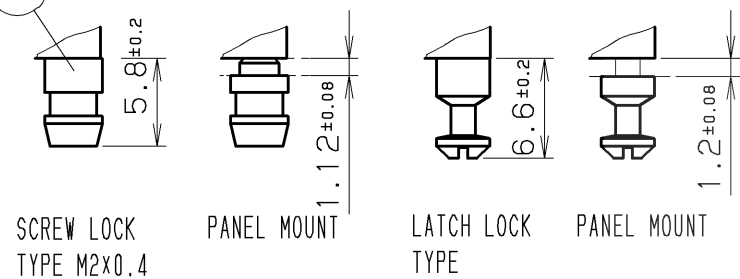
3. SPECIFICATION

RATED CURRENT 0.5A  
 RATED VOLTAGE 125V AC (r. m. s.)

4. TWO LOCK SCREWS ARE

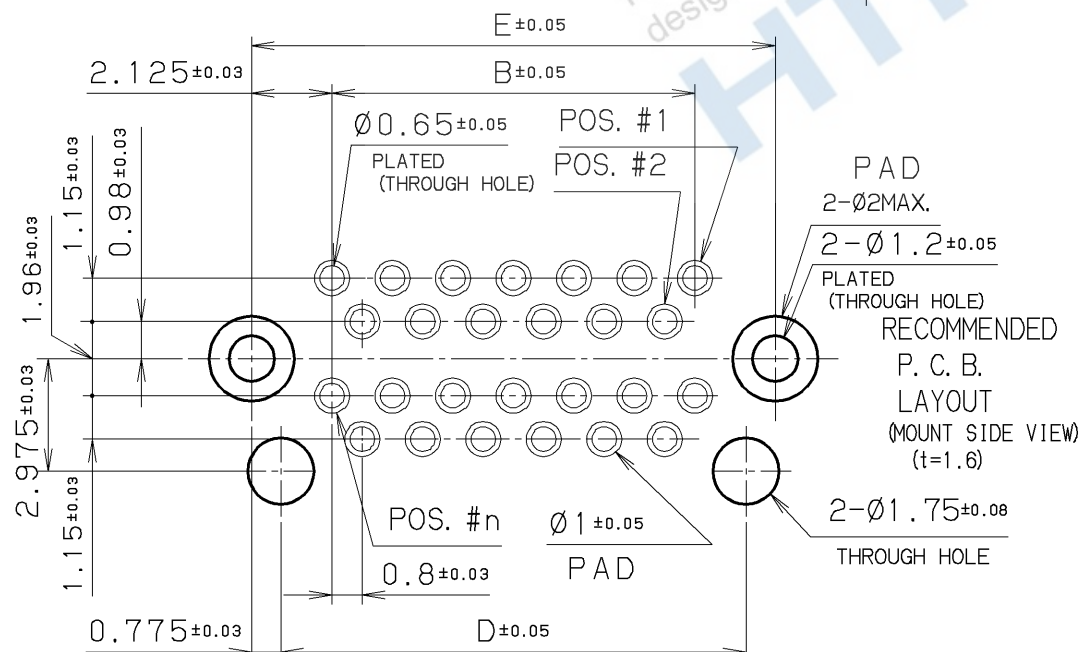
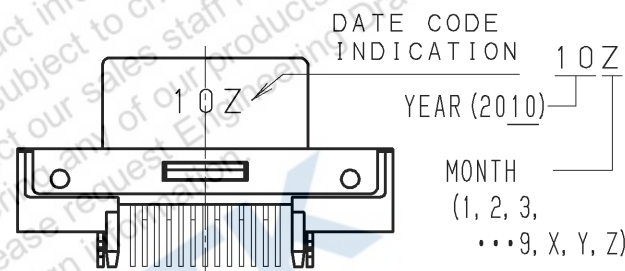
SUPPLIED WITH A CONNECTOR.

5 LOCK SCREWS



RECOMMENDED PANEL CUT-OUT DIMENSIONS

No. of contacts	X	Y
14	10.5	14.4
26	15.3	19.2



5	LOCK SCREW	STEEL	2	NICKEL PLATING	
4	BOARD LOCK PIN	PHOSPHOR BRONZE	2	TIN PLATING	
3	SHELL	STEEL	1	NICKEL PLATING	
2	CONTACT	PHOSPHOR BRONZE	n	SEE NOTE #1	
1	INSULATOR	PA9T	1		UL94V-0 BLACK

LTR.	DATE	BY	REV.	DESCRIPT	No.	PART NAME	MATERIAL	QTY	FINISH	NOTE	
△	July-23 2010	Y. K	Revise								
△	Aug. 1 2007	Y. K	Revise								
DATE: Apr. 26, 2004					SCALE: 2 / 1		UNIT: mm (INCH)		3RD. A. P		
APP. DATE & REV.					HONDA TSUSHIN KOGYO CO., LTD.						
DR. DE. CHK. CHK. APP.					NAME		0.8mm SPACING FEMALE CONNECTOR (THROUGH HOLE TYPE)				
Y. KATO Y. KATO C. NUNOKAWA T. NAKANO					PART NO.		HDR-EC ( ) FDTG2- ( ) +				
									REV. 2B		