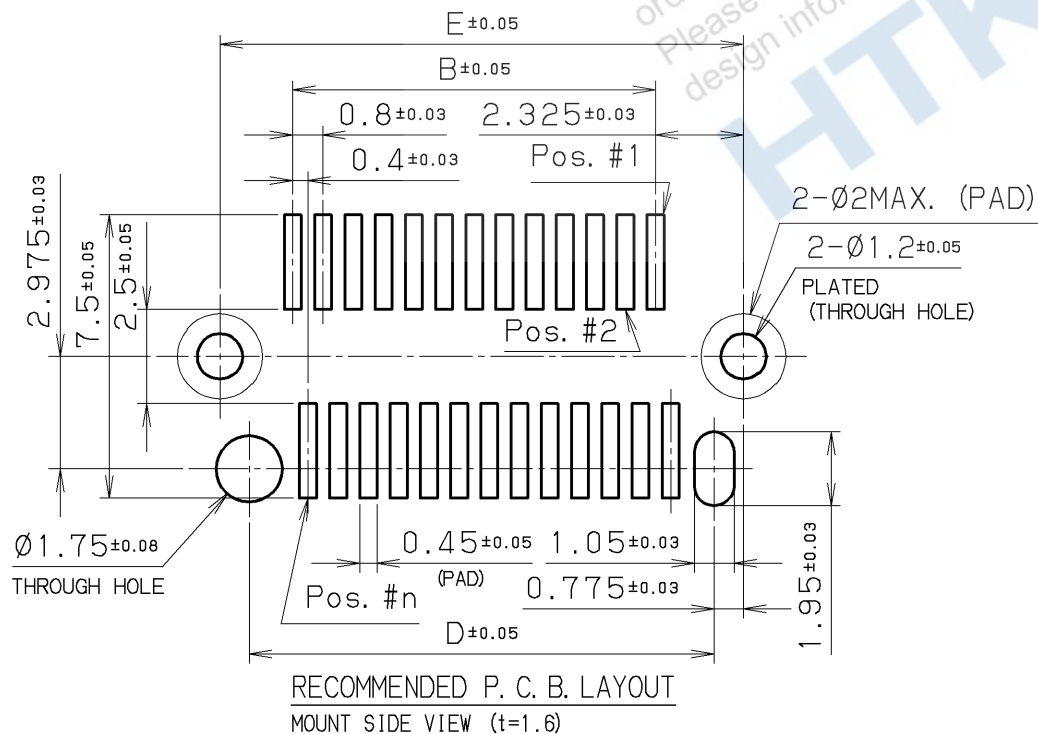
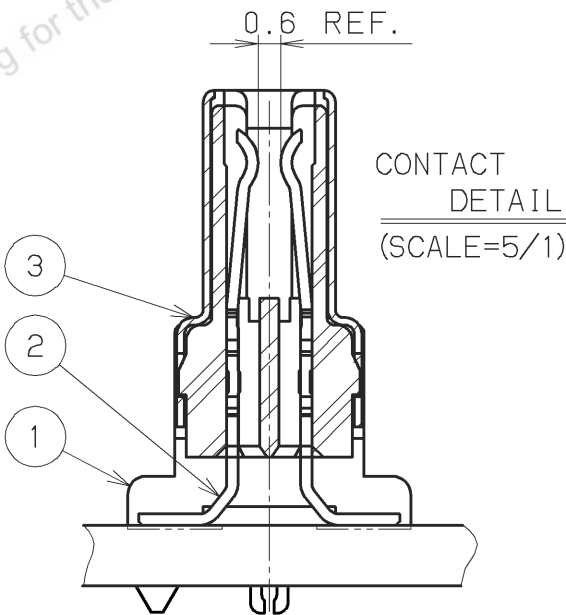
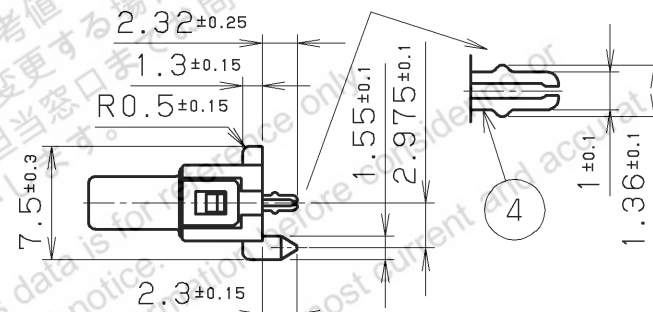
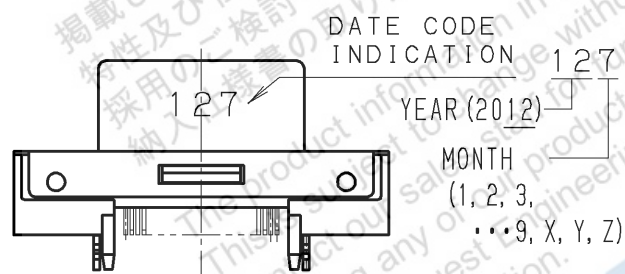
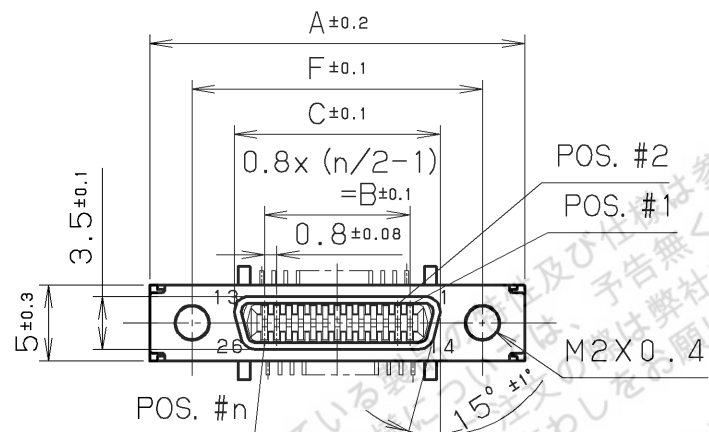
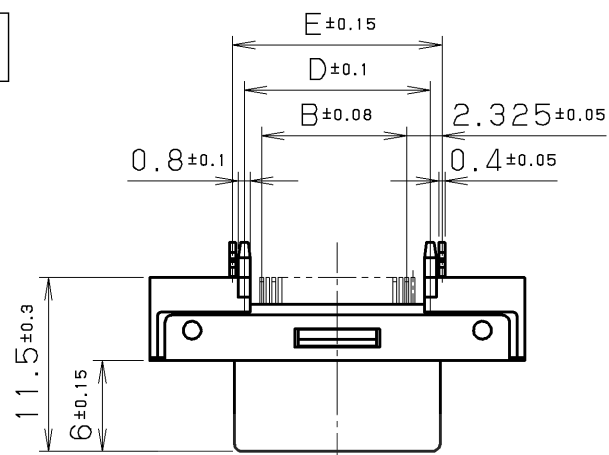


RoHS COMPLIANT



Note 1. Mating connector
HDR-E () MAG1+/HDR-E () MSG1+

2. Specification
Rated current 0.5A
Rated voltage 125V AC (r. m. s.)

3. P/N: HDR-EC*FYT*-**

- (3) Lock screws
- (2) Contact plating
- (1) No. of Pos.

4. This drawing shows HDR-EC26FYT () +.

(1) Dimensions

No. of Pos.	Dimensions						
	A	B	C	D	E	F	G
14	20	0.8x6=4.8	8.8	7.5	9.05	14.4	10.5
26	24.8	0.8x12=9.6	13.6	12.3	13.85	19.2	15.3

(2) Contact plating

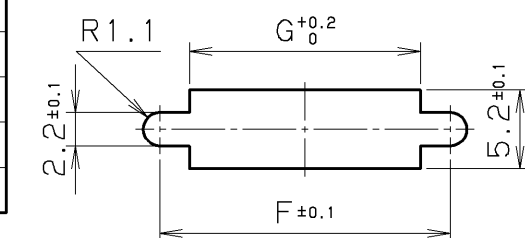
Mating area	
—	Gold 0.1µm+Palladium/nickel 0.5µm
G2	Gold 0.76µm

Terminal area: Gold plating 0.05µm
Underplating: Nickel plating 1.3µm

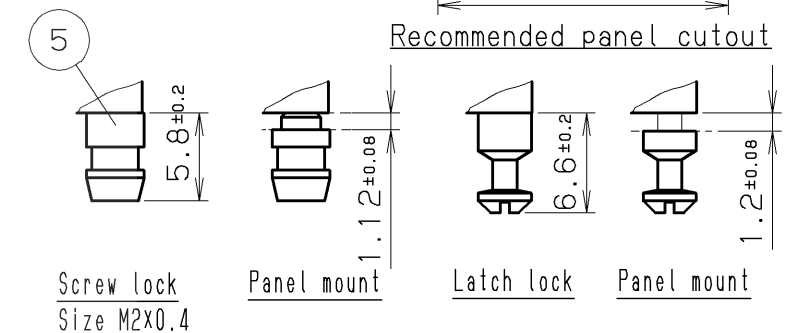
(3) Lock screws

Type	
SL	Screw lock (Panel mount)
SLD	Screw lock
SLE	Latch lock
SLH	Latch lock (Panel mount)

* Two lock screws are supplied with a connector.



Recommended panel cutout



5	LOCK SCREW	STEEL	2	NICKEL PLATING	—
4	BOARD LOCK PIN	PHOSPHOR BRONZE	2	TIN PLATING	—
3	SHELL	STEEL	1	NICKEL PLATING	—
2	CONTACT	PHOSPHOR BRONZE	n	SEE NOTE #3	—
1	INSULATOR	PART	1	—	UL94V-0 BLACK

△									
△									
△									

LTR.	DATE	BY	REV.	DESCRIPT	No.	PART NAME	MATERIAL	QTY	FINISH	NOTE
	July-20,2012		2 / 1			3RD. A. P				
APP. DATE&REV.						HTK HONDA TSUSHIN KOGYO CO., LTD.				
DR.	DE.	CHK.	CHK.	APP.	NAME		0.8mm SPACING FEMALE CONNECTOR (SMT TYPE)			
K. OOKU	K. OOKU	K. ENDO	S. WATANABE	Y. KATO	PART NO.	HDR-EC () FYT () - () +			REV.	