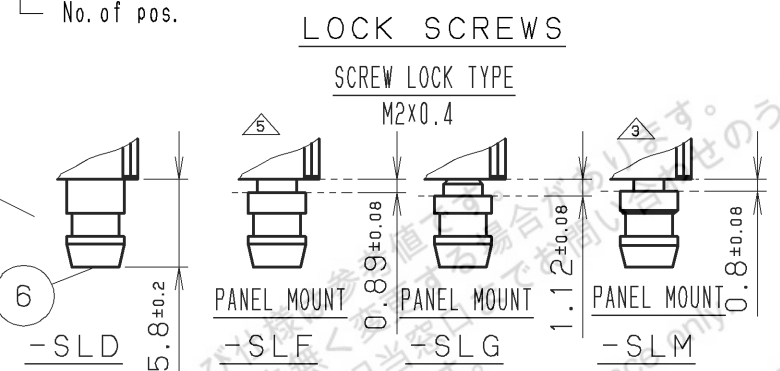
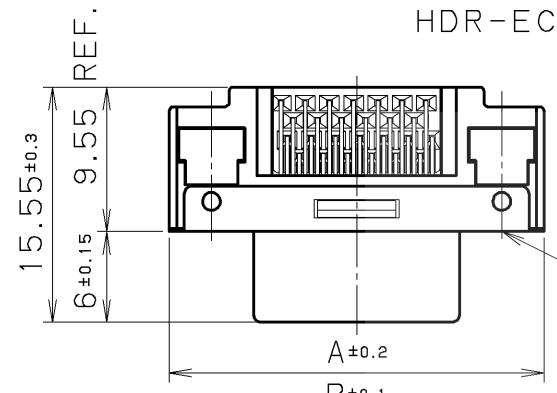
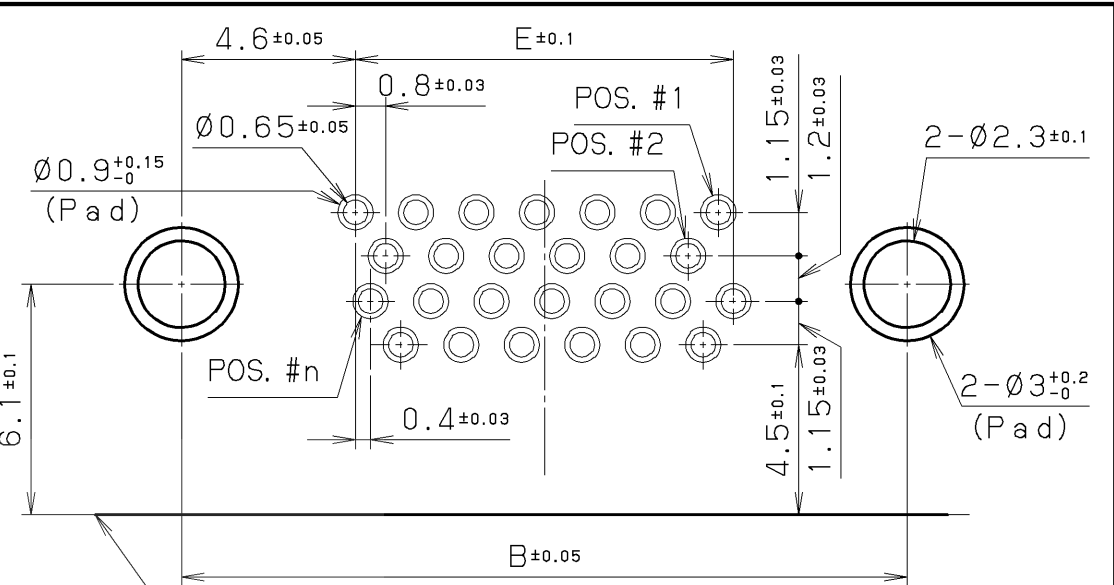


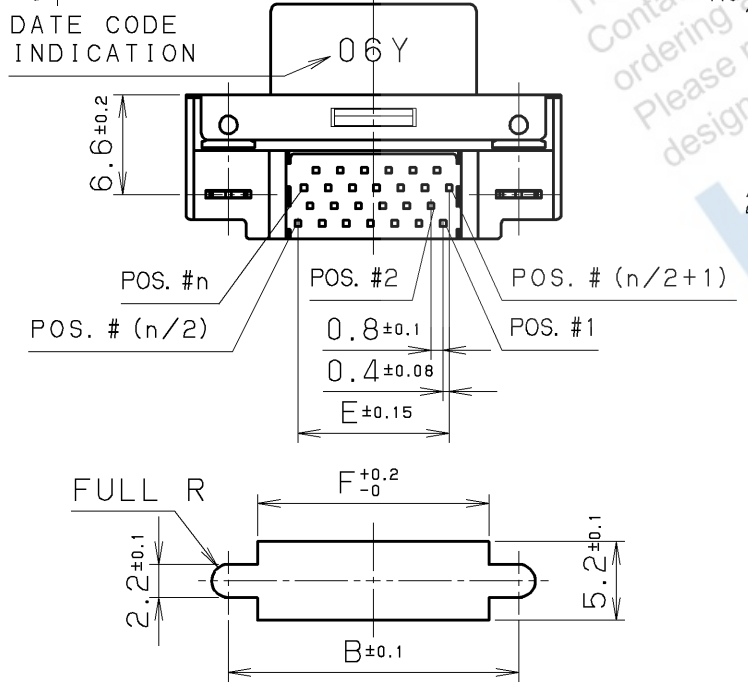
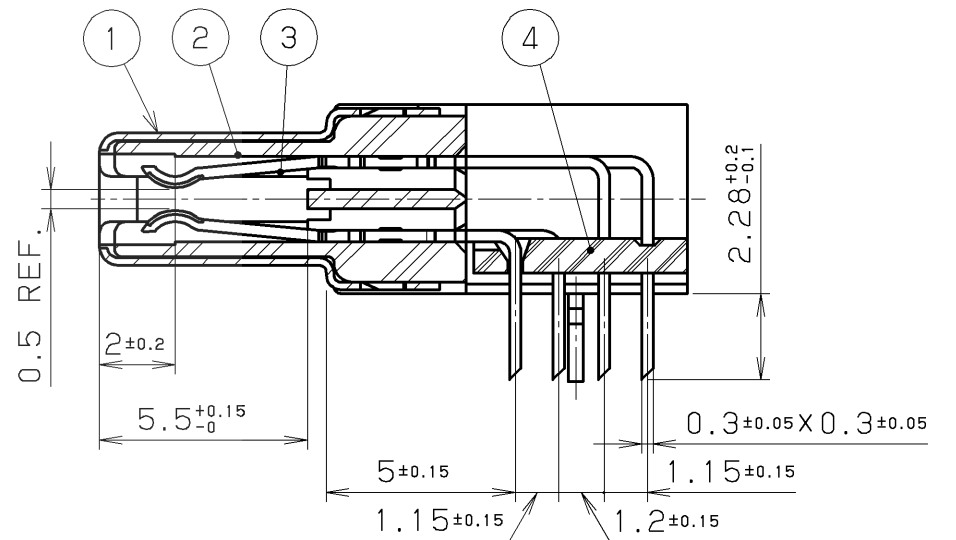
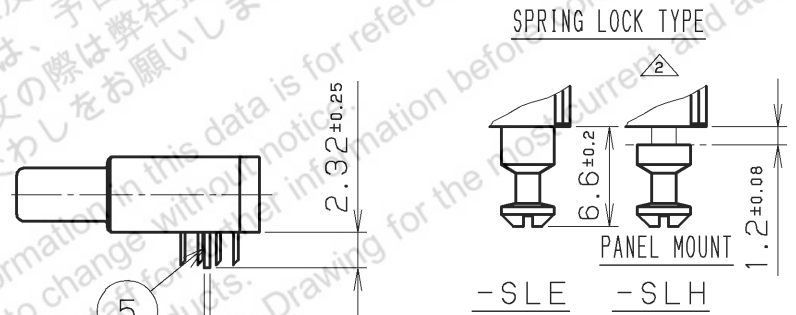
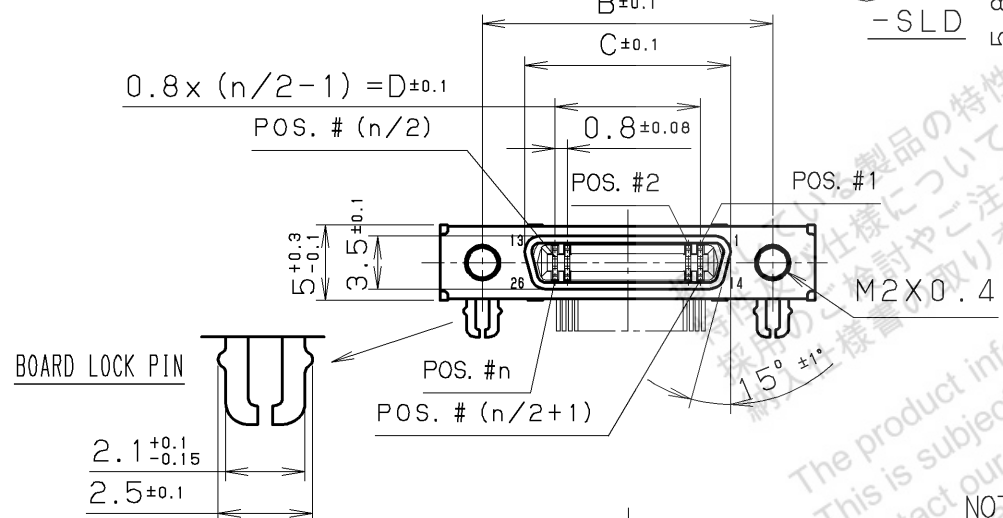
50	34.4	28.8	23.2	0.8x24=19.2	19.6	24.9
26	24.8	19.2	13.6	0.8x12=9.6	10	15.3
14	20	14.4	8.8	0.8x6=4.8	5.2	10.5
n (No. of pos.)	A	B	C	D	E	F

Dimensions

	W/O lock screws		
-SLD	Screw lock		
-SLE	Spring lock		
-SLF	Screw (panel mount)	0.89	Note. #4
-SLG	Screw (panel mount)	1.12	Note. #4
-SLH	Spring (panel mount)	1.2	Note. #4
-SLM	Screw (panel mount)	0.8	Note. #4
	Lock type	Panel thickness	Note



RECOMMENDED P.C.B. LAYOUT (MOUNT SIDE VIEW) (t=1.6 SCALE=5/1)



NOTE  
 1. CONTACT PLATING  
 MATING AREA : 0.76 MICRO METERS MINIMUM GOLD PLATING  
 TERMINATION AREA : 0.05 MICRO METERS GOLD PLATING  
 UNDERPLATING : NICKEL PLATING  
 2. MATING CONNECTOR  
 HDR-E ( ) MAG1+  
 HDR-E ( ) MSG1+

3. SPECIFICATION  
 RATED CURRENT 0.5A  
 RATED VOLTAGE 125V AC (r. m. s.)  
 4. TWO LOCK SCREWS ARE SUPPLIED WITH A CONNECTOR.

LTR.	DATE	BY	REV.	DESCRIPT	No.	PART NAME	MATERIAL	QTY	FINISH	NOTE
△	Jan-26 2018	S. M		Add P/N	6	LOCK SCREW	STEEL	2	NICKEL PLATING	
△	Jul-11 2012	M. K		Add P/N	5	BOARD LOCK PIN	PHOSPHOR BRONZE	2	TIN PLATING	
△	May-18 2011	Y. K		Revise (Tolerance)	4	BRACKET	PPS (GF)	1		UL94V-0 BLACK
△	Nov-20 2009	K. E		Add P/N	3	FEMALE CONTACT	PHOSPHOR BRONZE	n	NOTE. #1	
△	Nov-29 2007	Y. K		Add 50 pos.	2	INSULATOR	PA9T (GF)	1		UL94V-0 BLACK
					1	SHELL	STEEL	1	NICKEL PLATING	

DATE	SCALE	UNIT	3RD. A. P	HTK HONDA TSUSHIN KOGYO CO., LTD.	
Nov. 21, 2006	2 / 1	mm (INCH)		NAME	0.8mm SPACING RIGHTANGLE FEMALE CONNECTOR
APP. DATE & REV.				PART NO.	HDR-EC ( ) LFD TG2- ( ) +
DR. S. MURAKAMI	DE. S. MURAKAMI	CHK. S. YOSHIDA	CHK. —	APP. K. OOAKU	REV. 5E

RECOMMENDED PANEL CUT-OUT DIMENSIONS