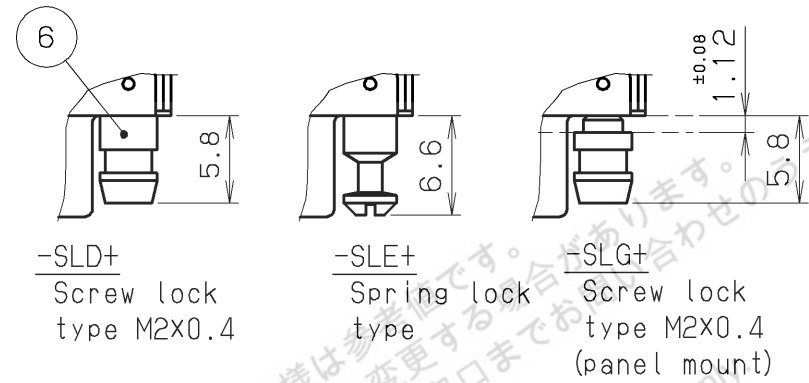


Lock screws

Part No.	Type	Note
HDR-EC()LMDT()+		
HDR-EC()LMDT()-SLD+	Screw lock type	
HDR-EC()LMDT()-SLE+	Spring lock type	
HDR-EC()LMDT()-SLG+	Screw lock type (Panel mount)	See note. #4



1. Contact plating

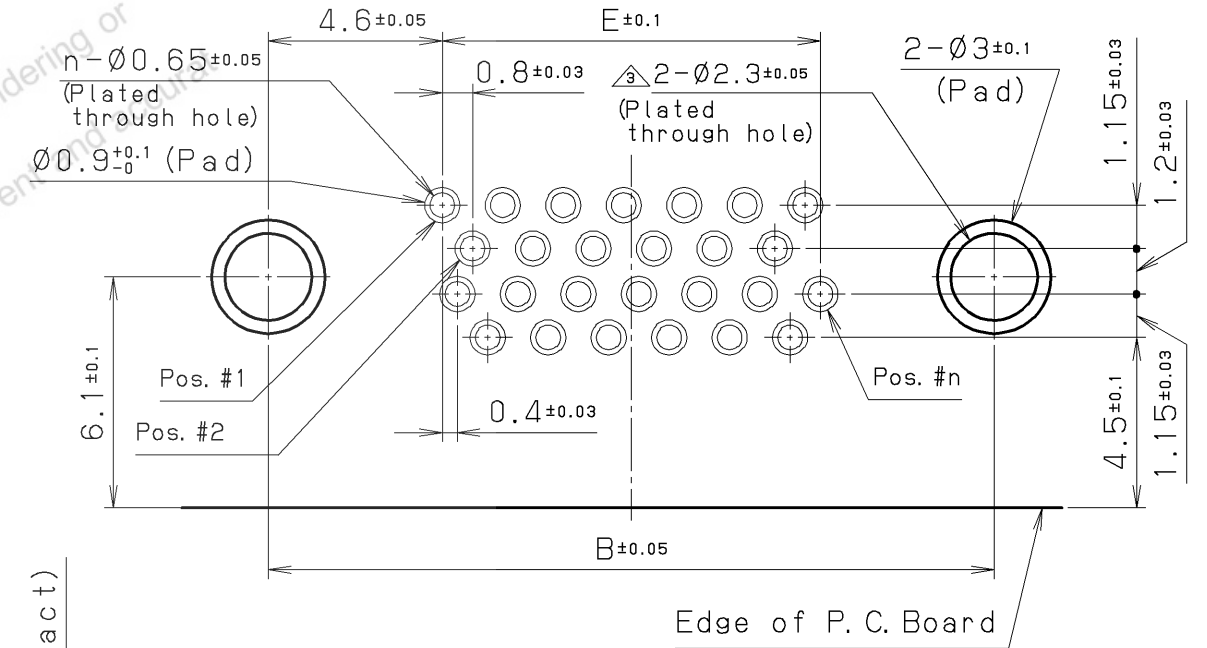
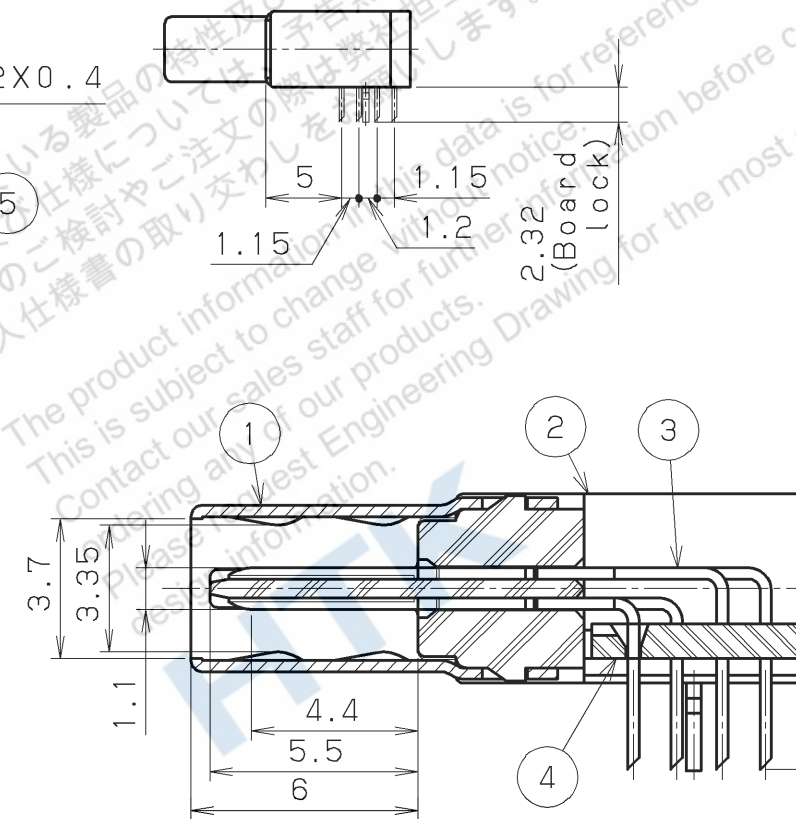
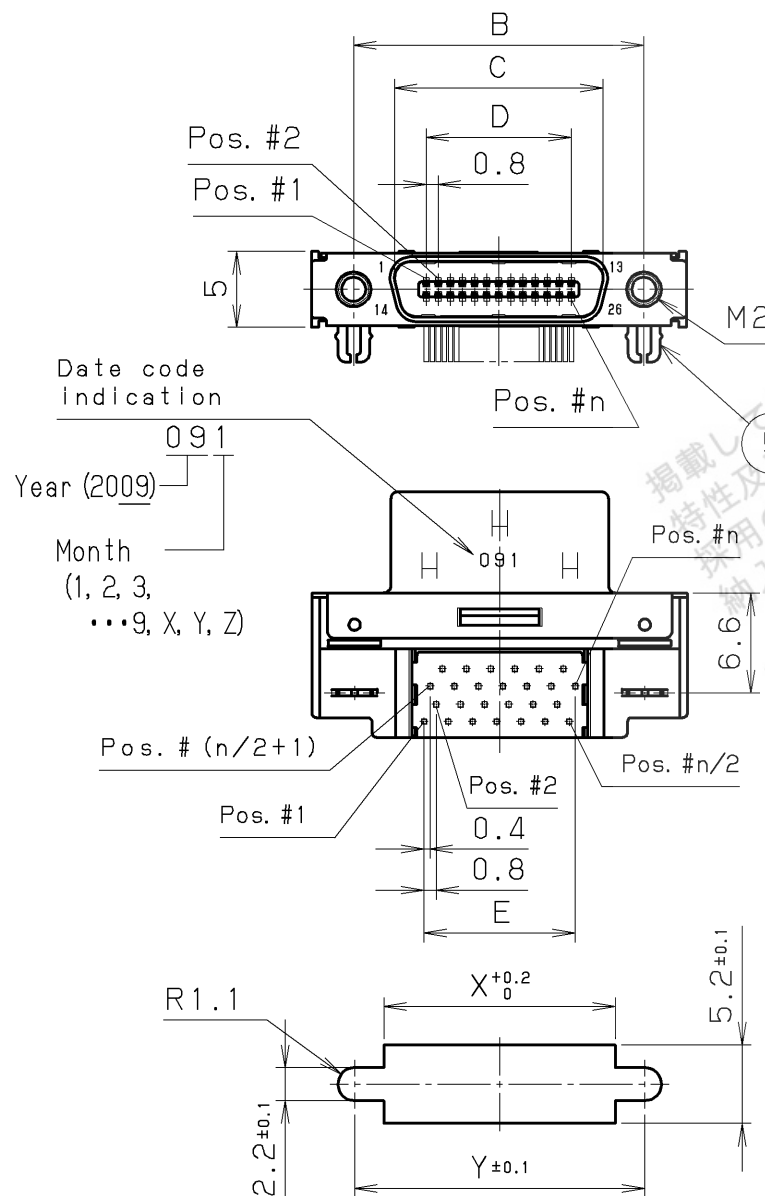
Part No.	Mating area	Termination area
HDR-EC()LMDTG1-()+	Gold 0.76µm min.	Gold 0.05µm min.

Underplating: Nickel plating 1.3µm min.

2. Mating connector
 HDR-EC26FDT()+ / HDR-EC26LFDT()+
 HDR-EA26LFYP()+
 HDR-E26FAG1+
 HDR-E26FSG1+

3. Specification
 Rated current 0.5A
 Rated voltage 125V AC (r. m. s.)

4. Two lock screws are supplied with a connector.
 (P/N: HDR-EC()LMDT()-SLG+)



Recommended P.C.B. layout (Mount side view)
 t=1.6

Recommended panel cut-out dimensions
 (t=1.12 ±0.08)

6	Lock screw	Steel	2	Nickel plating	
5	Board lock	Phosphor bronze	2	Nickel plating	
4	Bracket	High temperature resin	1		UL94V-0 Black
3	Male contact	Phosphor bronze	n	Note. #1	
2	Insulator	High temperature resin	1		UL94V-0 Black
1	Shell	Steel	1	Nickel plating	

DATE	BY	REV.	DESCRIPT	No.	PART NAME	MATERIAL	QTY	FINISH	NOTE
May. 7 2009	H. A.		Changed tolerance.						
Jan. 30 2009	H. A.		Revised.						
Dec. 25 2008	H. A.		Remove contact sequence.						

DATE	SCALE	UNIT	3RD. A. P	HONDA TSUSHIN KOGYO CO., LTD.						
May. 26. 2005	2/1	mm (INCH)		DR.	DE.	CHK.	CHK.	APP.	NAME	0.8mm spacing right-angle male connector (RoHS)
APP. DATE&REV.				H. AIZAWA	H. AIZAWA	K. TAKAHASHI		K. KASAI	PART NO.	HDR-EC()LMDT()-()+
									REV.	3C

Part No.	n (No. of pos.)	A	B	C	D	E	X	Y
HDR-EC26LMDTG()-()+	26	24.8	19.2	13.8	0.8x12=9.6	10	15.3	19.2
Dimensions								