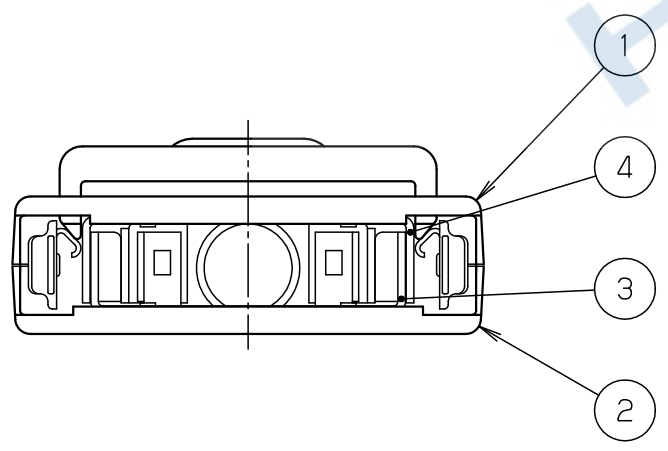


NOTE. #1 APPLICABLE CABLE: Ø5.6  
 #2 DIMENSION TOLERANCE: ±0.5



6	LOCKING DEVICE B	STAINLESS STEEL	1	---	---
5	LOCKING DEVICE A	STAINLESS STEEL	1	---	---
4	INNER SHELL B	STEEL	1	NICKEL PLATED	---
3	INNER SHELL A	STEEL	1	NICKEL PLATED	---
2	CASE B	ABS/PC ALLOY	1	---	UL94V-0 BLACK
1	CASE A	ABS/PC ALLOY	1	---	UL94V-0 BLACK

LTR.	DATE	BY	REV.	DESCRIPT	No.	PART NAME	MATERIAL	QTY	FINISH	NOTE
	MAR.21.2000		2/1							
DATE						SCALE	UNIT	3RD. A. P		
APP. DATE&REV.						<b>HTK</b> HONDA TSUSHIN KOGYO CO., LTD.				
DR.	DE.	CHK.	CHK.	APP.	NAME		CASE FOR HDRA			
Y. KATO	Y. KATO	—	C. NUNOKAWA	H. EBIHARA	PART NO.		HDRA-E36LPTH			