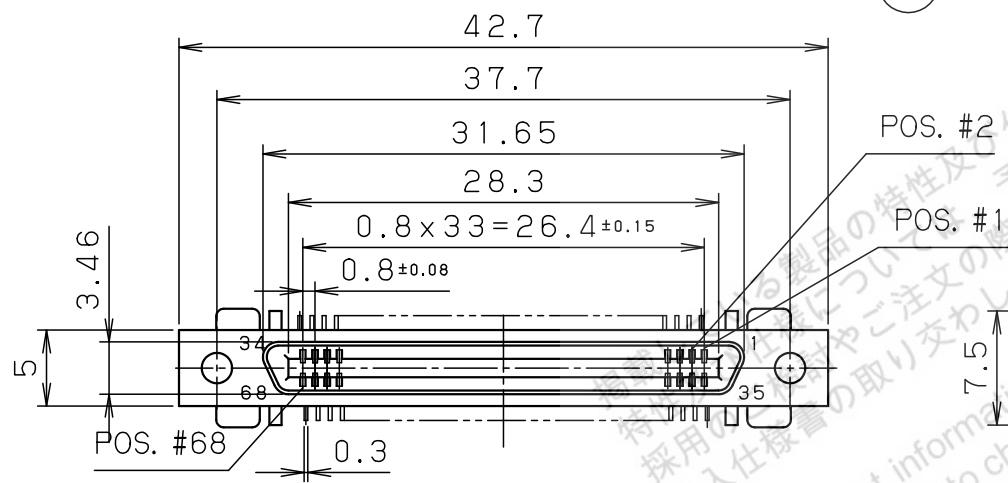
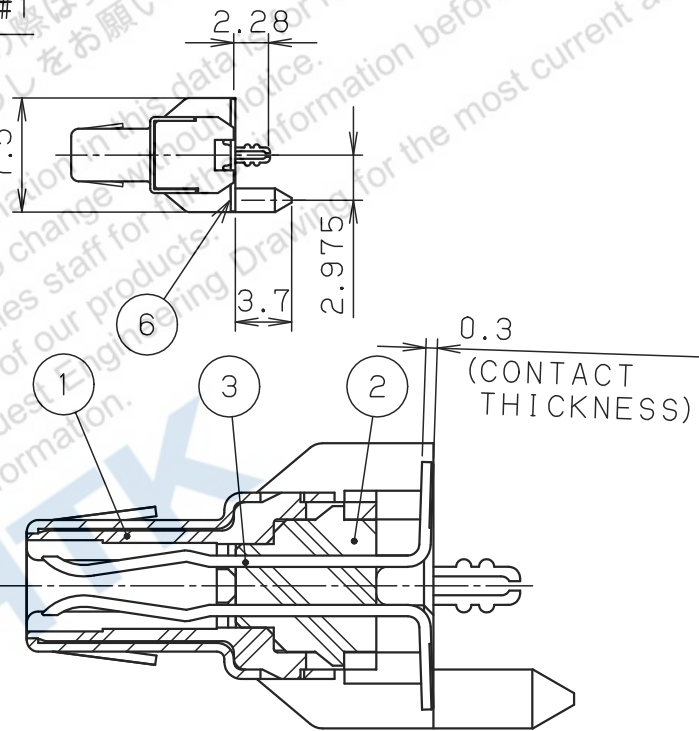


RECOMMENDED P. C. B. LAYOUT
(MOUNT SIDE VIEW) (t=1.6)
(SCALE=4/1)

参考図



RECOMMENDED
PANEL CUT-OUT DIMENSIONS
(t=1.12±0.08)



CONTACT DETAIL
(SCALE=5/1)

NOTE1. CONTACT PLATING
CONTACT AREA: Pd/Ni 0.5µm+GOLD 0.1µm MIN.
TERMINAL AREA: GOLD 0.05µm
ALL OVER NICKEL UNDERPLATED

6	HOLD DOWN	PHOSPHOR BRONZE	2	NICKEL	
5	SQR. NUT	BRASS	2	NICKEL	M2x0.4
4	SHELL	STEEL	1	NICKEL	
3	CONTACT	PHOSPHOR BRONZE	68	SEE NOTE 1	
2	INSULATOR B	LCP	1		UL94V-0 BLACK
1	INSULATOR A	PPS	1		UL94V-0 BLACK

LTR.	DATE	BY	REV.	DESCRIPT	No.	PART NAME	MATERIAL	QTY	FINISH	NOTE
DATE		SCALE		UNIT		3RD. A. P				
Apr. 15. 2013		2 / 1		mm (INCH)						
APP. DATE&REV.		DR.		DE.		CHK.		CHK.		APP.
		A. TASHIRO		A. TASHIRO		M. KASHIHARA		—		Y. KATO
						NAME		0.8mm SPACING 68POS. FEMALE CONNECTOR SMT TYPE		
						PART NO.		HDRA-E68FYT+		
						REV.				