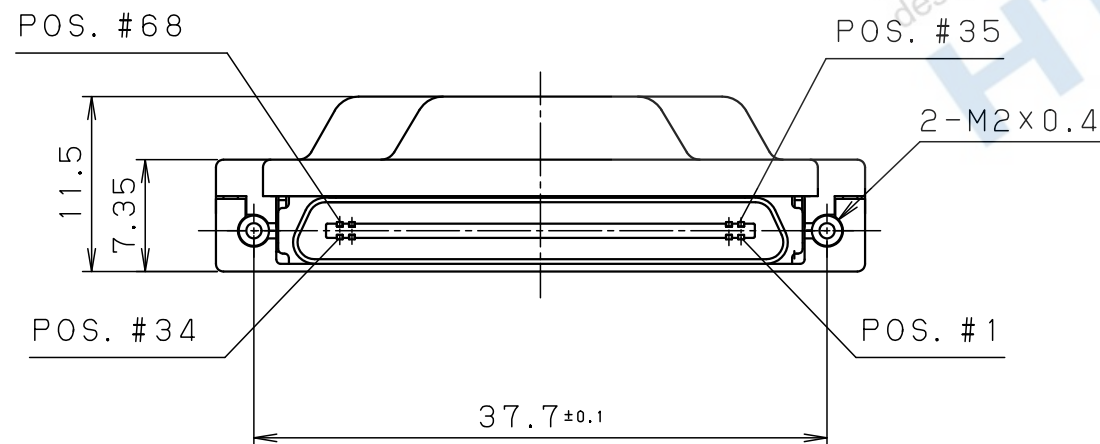


CONNECTOR
P/N:HDRA-E68MA1



6	CAP	ABS	2		UL94V-0 BLACK
5	LOCK SCREW	STEEL	2	NICKEL	
4	BACK SHELL B	STEEL	1	NICKEL	
3	BACK SHELL A	STEEL	1	NICKEL	
2	COVER B	ABS	1		UL94V-0 BLACK
1	COVER A	ABS	1		UL94V-0 BLACK

LTR.	DATE	BY	REV.	DESCRIPT	No.	PART NAME	MATERIAL	QTY	FINISH	NOTE
	MAY.-8 1997	Y. K		APPEARANCE ALTERATION						
	JULY-26 1996	Y. K		CHANGED DIM.						
	JULY-12 1996	Y. K		APPEARANCE ALTERATION						
DATE		SCALE		UNIT		3RD. A. P				
MAY.17.1996		2 / 1		mm (INCH)						
APP. DATE&REV.		DR.		DE.		CHK.		CHK.		APP.
		Y. KATO		Y. KATO		—		C. NUNOKAWA		H. EBIHARA
NAME		HDRA-E TYPE CABLE COVER								
PART NO.		HDRA-E68LGKPC							REV.	
									3C	