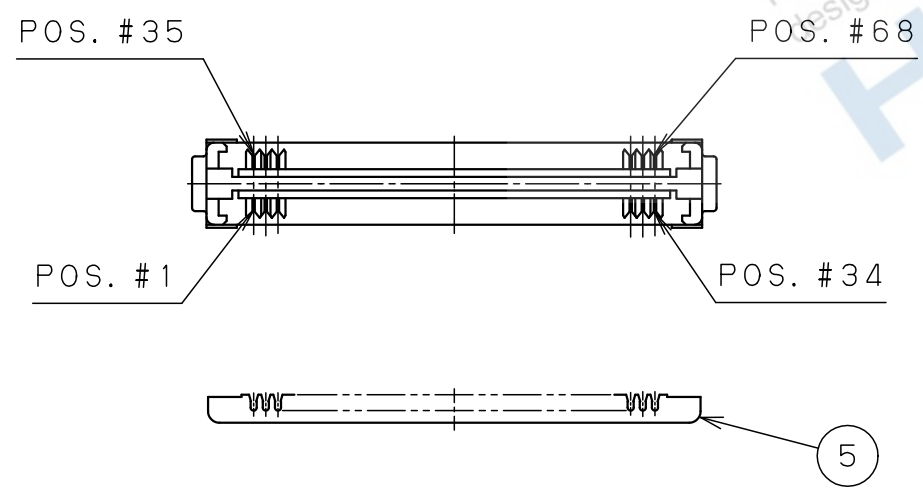
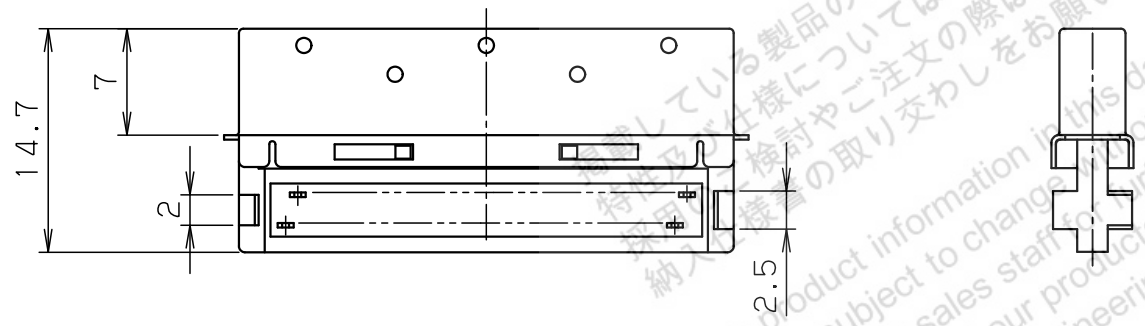


CONTACT DETAIL



- NOTE 1. CONTACT PLATING  
 CONTACT AREA: GOLD 0.1 μm MIN. OVER PALLADIUM/NICKEL 0.5 μm  
 TERMINAL AREA: GOLD 0.05 μm  
 ALL OVER NICKEL UNDERPLATED
2. APPLICABLE CABLE COVER P/N: HDRA-E68LGKPA  
 3. MATING CONNECTOR P/N: HDRA-E68LFDT- ( ) +, HDRA-E68FT ( ) - ( ) +  
 4. APPLICABLE CABLE WIRE SIZE: AWG#30 (7/0.1), Ø0.58 (INSULATION O. D.)

5	CABLE COVER	PBT (GF)	2	UL 94V-0 BLACK
4	SPACER	PBT (GF)	2	UL 94V-0 BLACK
3	SHELL	STEEL	1	NICKEL
2	INSULATOR	PBT (GF)	1	UL 94V-0 BLACK
1	CONTACT	PHOSPHOR BRONZE	68	SEE NOTE 1

LTR.	DATE	BY	REV.	DESCRIPT	No.	PART NAME	MATERIAL	QTY	FINISH	NOTE
DATE		SCALE		UNIT		3RD. A. P				
Mar. 29. 2004		2 / 1		mm (INCH)						
APP. DATE&REV.		DR.		DE.		CHK.		CHK.		APP.
		Y. KATO		Y. KATO		—		C. NUNOKAWA		H. EBIHARA
NAME		0.8mm SPACING 68POS. CABLE IDC MALE CONNECTOR								
PART NO.		HDRA-E68MA+							REV.	