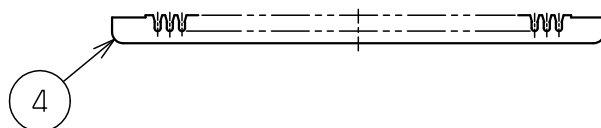
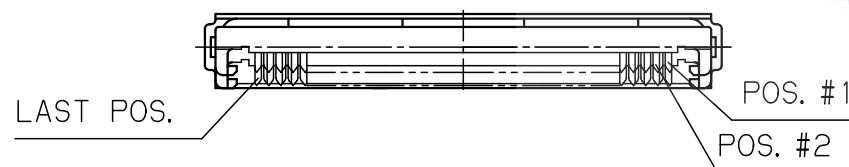
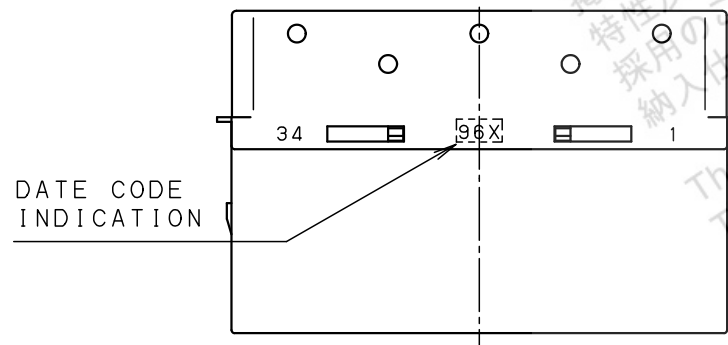
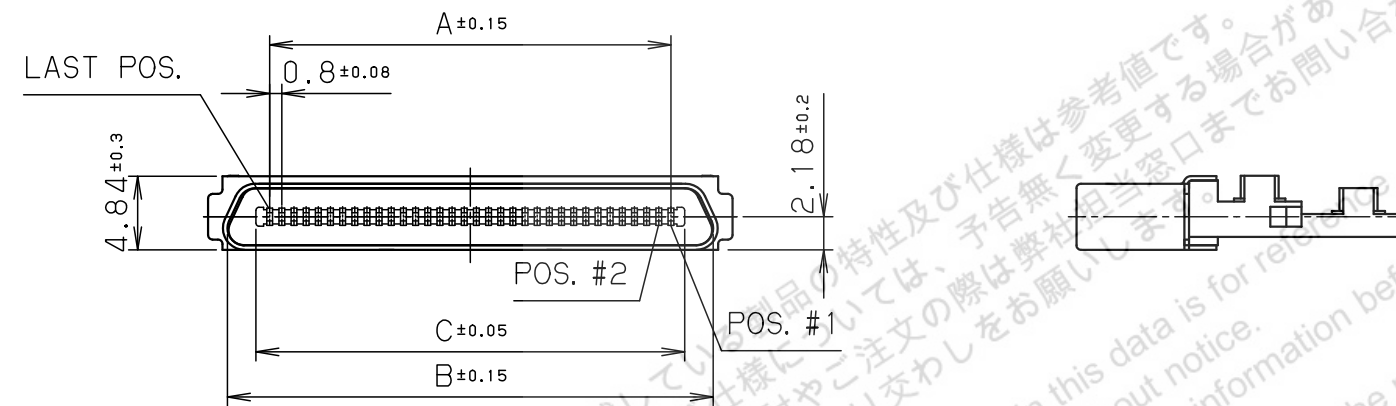


CONTACT DETAIL  
(5/1)



- NOTE1. CONTACT PLATING  
 CONTACT AREA: Pd/Ni 0.5 μm + GOLD 0.1 μm MIN.  
 TERMINAL AREA: GOLD 0.05 μm  
 ALL OVER NICKEL UNDERPLATED
2. APPLICABLE CABLE COVER: P/N: HDRA-E ( ) LGKP ( )  
 3. MATING CONNECTOR: P/N: HDRA-E ( ) LFDT-SL+  
 4. APPLICABLE WIRE SIZE AWG#30 (7/0.1)  
 Ø0.58 (CORE JACKET O. D.)

HDRA-E68MA1+	68	0.8×33=26.4	31.95	28.2
HDRA-E36MA1+	36	0.8×17=13.6	19.16	15.4
PART No.	No. OF POS.	A	B	C

※ UNDER CONSIDERATION

5	INSULATOR B	PBT (GF)	1		UL94V-0 BLACK					
4	CABLE HOUSING	PBT (GF)	2		UL94V-0 BROWN					
3	SHELL	STEEL	1	NICKEL PLATING						
2	INSULATOR A	PBT (GF)	1		UL94V-0 BLACK					
1	CONTACT	PHOSPHOR BRONZE	68	SEE NOTE 1						
LTR.	DATE	BY	REV.	DESCRIPT	No.	PART NAME	MATERIAL	QTY	FINISH	NOTE
DATE		SCALE		UNIT		3RD. A. P				
Mar. 29. 2004		2 / 1		mm (INCH)						
APP. DATE&REV.		DR.		DE.		CHK.		CHK.		APP.
		Y. KATO		Y. KATO		—		C. NUNOKAWA		H. EBIHARA
HTK		HONDA TSUSHIN KOGYO CO., LTD.								
NAME		0.8mm SPACING FOR CABLE IDC MALE CONNECTOR								
PART NO.		HDRA-E ( ) MA1+								
REV.										