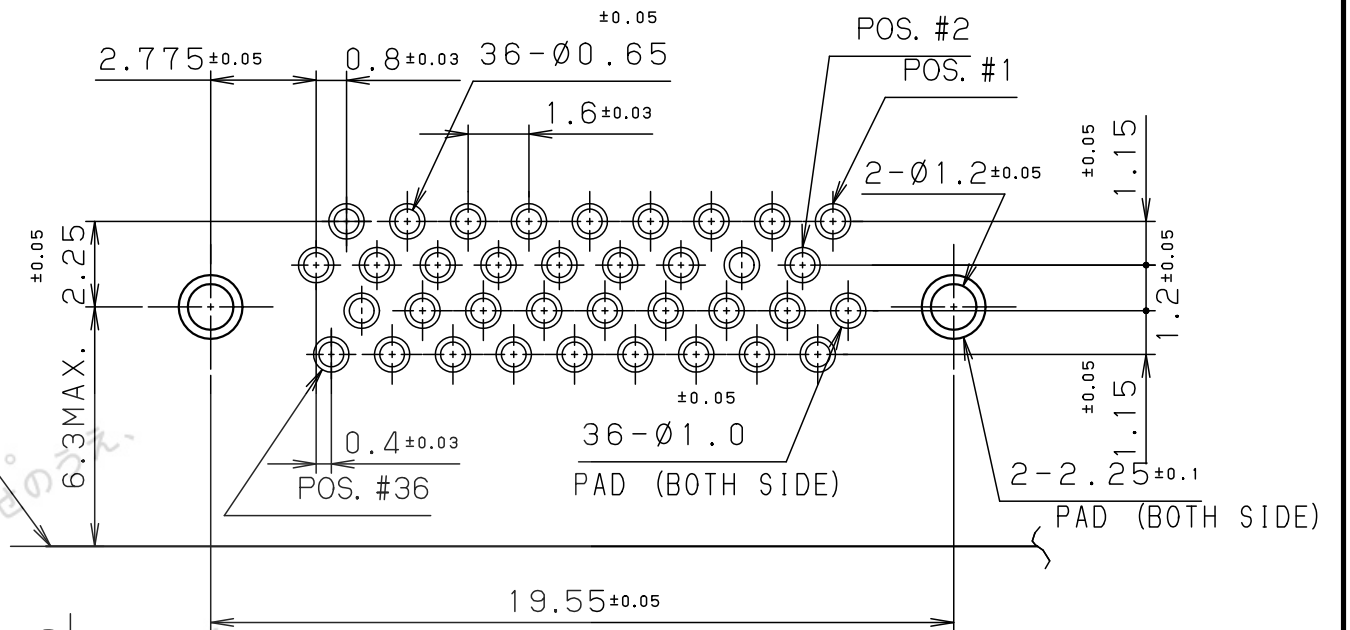
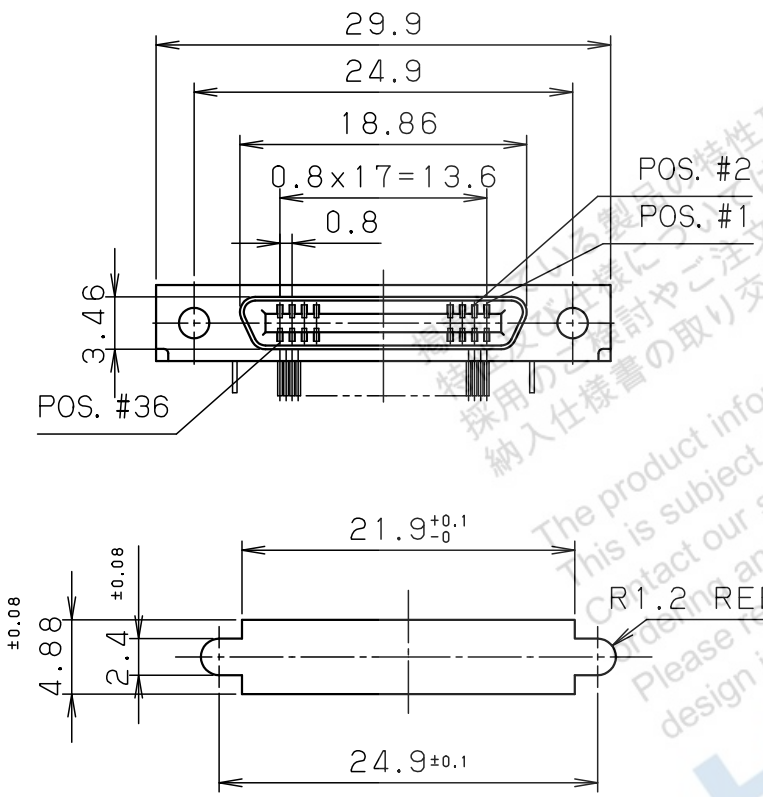


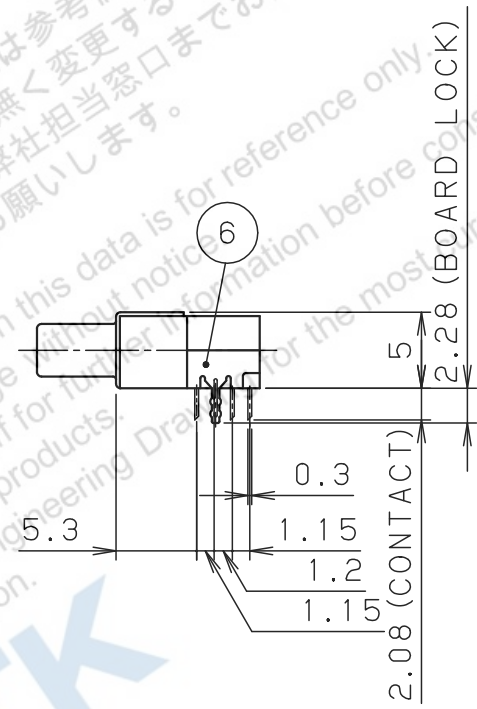
EDGE OF P. C. BOARD



RECOMMENDED P. C. B. LAYOUT
(MOUNT SIDE VIEW)
(SCALE=5/1)



RECOMMENDED
PANEL CUT-OUT DIMENSIONS
(t=1.12±0.08)



NOTE 1. CONTACT PLATING
CONTACT AREA: GOLD 0.1 μm MIN. OVER PALLADIUM/NICKEL 0.5 μm
TERMINAL AREA: GOLD 0.05 μm
ALL OVER NICKEL UNDERPLATED.

2. CONTACTS ARE INSERT MOLDED.

6	BOARD LOCK	PHOSPHOR BRONZE	2	NICKEL	
5	SQR. NUT	BRASS	2	NICKEL	M2x0.4
4	SHELL	STEEL	1	NICKEL	
3	INSULATOR	LCP	1		UL94V-0 BLACK
2	CONTACT	PHOSPHOR BRONZE	36	SEE NOTE 1	
1	BRACKET	PPS	1		UL94V-0 BLACK

LTR.	DATE	BY	REV.	DESCRIPT	No.	PART NAME	MATERIAL	QTY	FINISH	NOTE
	AUG.03.1999		2 / 1							
DR.	DE.	CHK.	CHK.	APP.	HTK HONDA TSUSHIN KOGYO CO., LTD. NAME 0.8mm SPACING 36POS. R/A FEMALE CONNECTOR PART NO. HDRA-EA36LFDT+					
Y. KATO	Y. KATO	—	C. NUNOKAWA	H. EBIHARA						