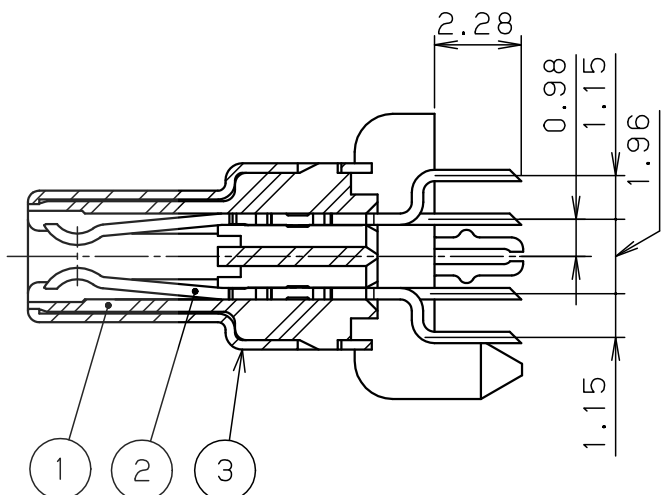


RECOMMENDED P. C. B. LAYOUT (MOUNT SIDE VIEW)  PAD



CONTACT DETAIL (5/1)

RECOMMENDED PANEL CUT-OUT DIMENSIONS

NOTE 1. CONTACT PLATING  
 CONTACT AREA: GOLD 0.76 μm MIN.  
 TERMINAL AREA: GOLD 0.05 μm  
 ALL OVER NICKEL UNDERPLATED.

5	HOLD DOWN	PHOSPHOR BRONZE	2	NICKEL PLATING	
4	SQR. NUT	BRASS	2	NICKEL PLATING	M2x0.4
3	SHELL	STEEL	1	NICKEL PLATING	
2	CONTACT	PHOSPHOR BRONZE	100	SEE NOTE 1	
1	INSULATOR	PA9T	1		UL94V-0 BLACK

LTR.	DATE	BY	REV.	DESCRIPT	No.	PART NAME	MATERIAL	QTY	FINISH	NOTE
	DATE			SCALE		UNIT				
	Dec. 7. 2005			2 / 1		mm (INCH)			3RD. A. P	
APP. DATE & REV.						HTK HONDA TSUSHIN KOGYO CO., LTD.				
DR.	DE.	CHK.	CHK.	APP.	NAME		0.8mm SPACING 100POS. FEMALE CONNECTOR			
Y. KATO	Y. KATO	—	C. NUNOKAWA	H. EBIHARA	PART NO.	HDRA-EC100FDT+			REV.	1A