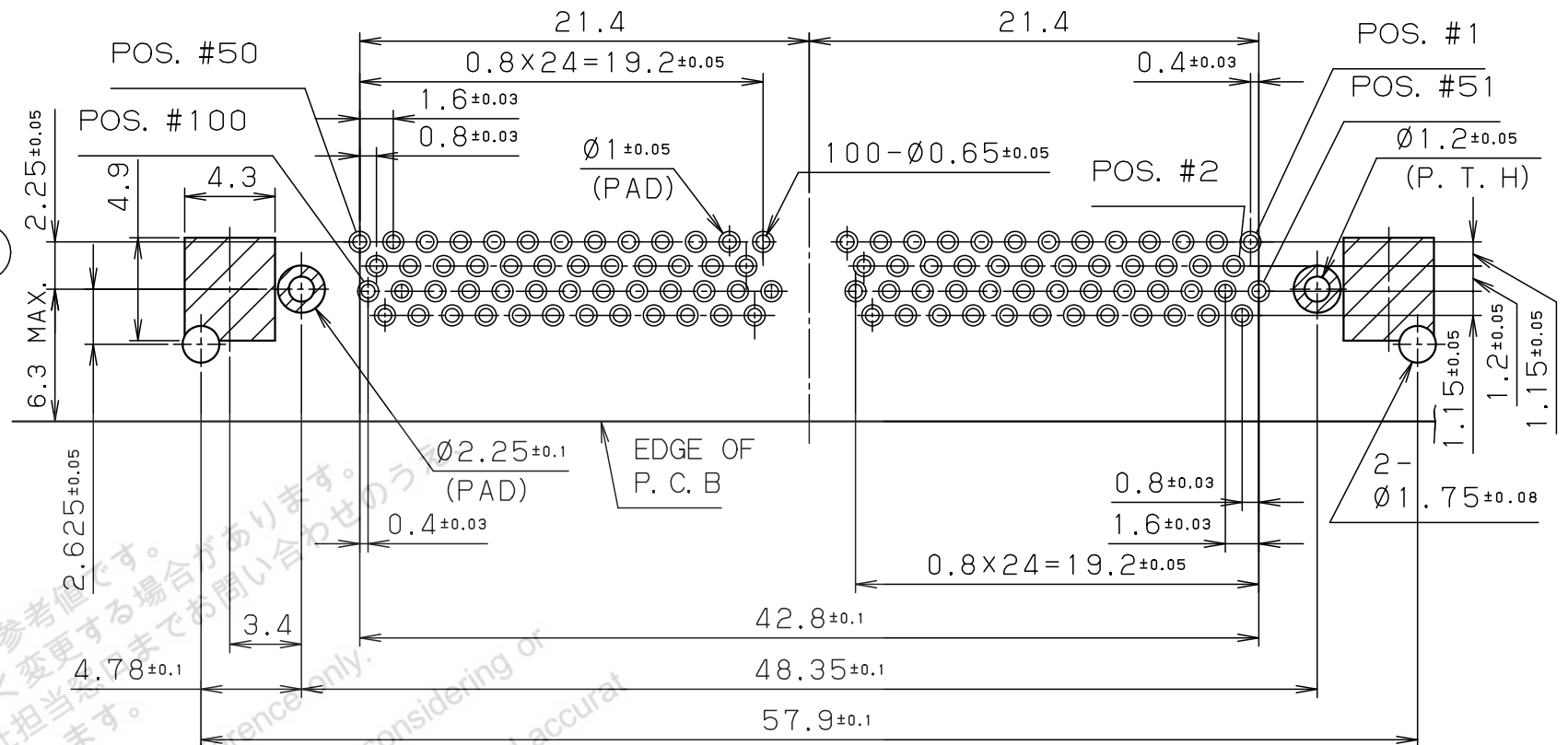
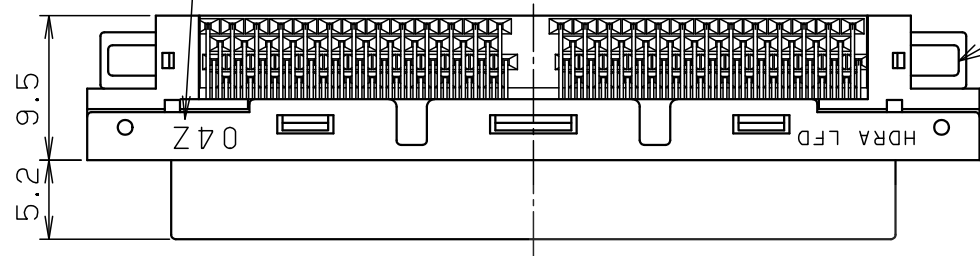
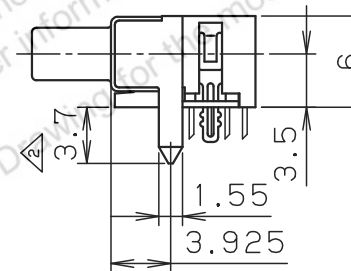
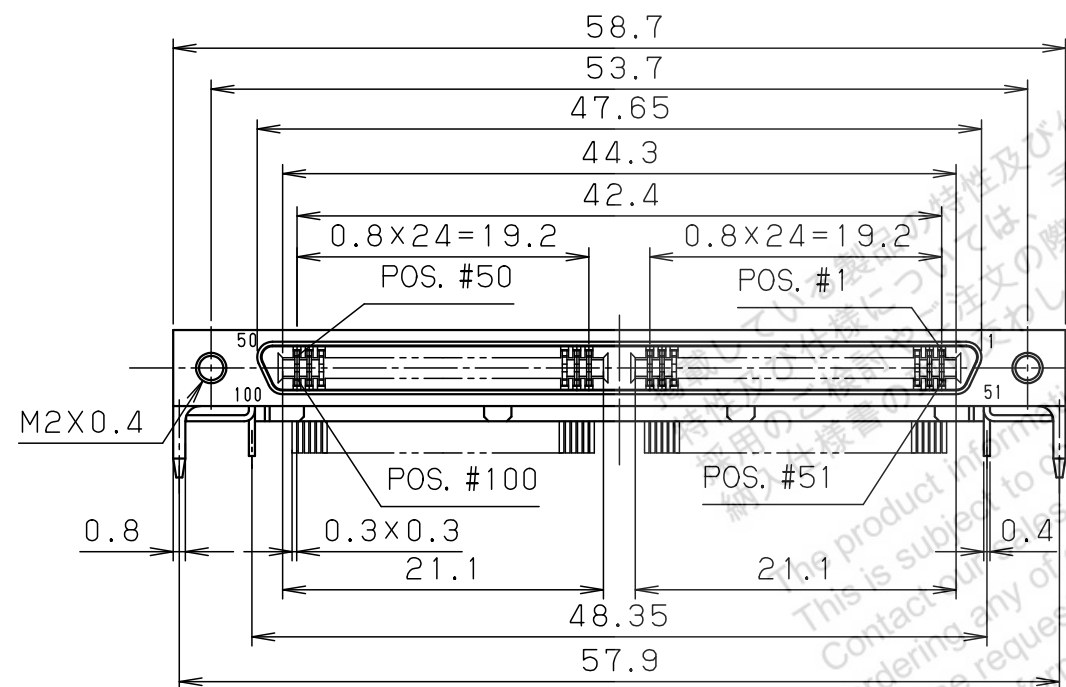


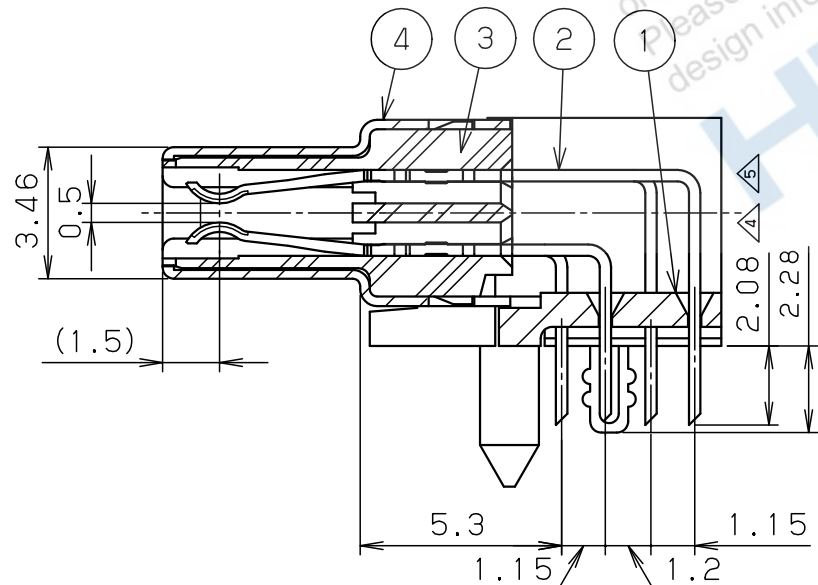
DATE CODE INDICATION  
 YEAR (2004) MONTH (1, 2, 3...9, X, Y, Z)  
 0.4Z



RECOMMENDED P. C. B. LAYOUT (t=1.6)  
 (MOUNT SIDE VIEW) (SCALE=3/1)



NOTE 1. CONTACT PLATING  
 CONTACT AREA: GOLD 0.76 μm MIN.  
 TERMINAL AREA: GOLD 0.05 μm  
 ALL OVER NICKEL UNDERPLATED.



CONTACT DETALE (5/1)

5	Nov.24 2005	Y. K	DIM.	5	HOLD DOWN	PHOSPHOR BRONZE	2	NICKEL PLATING	
4	Apr.06 2005	M. M	DIM.	4	SHELL	STEEL	1	NICKEL PLATING	
3	Dec.13 2004	Y. K	DATE CODE	3	INSULATOR	PA9T	1		UL94V-0 BLACK
2	Oct.14 2004	Y. K	REVISE (DIM.)	2	CONTACT	PHOSPHOR BRONZE	100	SEE NOTE 1	
1	Oct.1 2004	Y. K	PCB	1	BRACKET	PPS	1		UL94V-0 BLACK

LTR.	DATE	BY	REV.	DESCRIPT	No.	PART NAME	MATERIAL	QTY	FINISH	NOTE
DATE		SCALE		UNIT		3RD. A. P				
Sep.7.2004		2 / 1		mm (INCH)						
APP. DATE&REV.						HTK HONDA TSUSHIN KOGYO CO., LTD.				
DR.	DE.	CHK.	CHK.	APP.	NAME		0.8mm SPACING 100 POS. R/A FEMALE CONNECTOR			
Y. KATO	Y. KATO		C. NUNOKAWA	H. EBIHARA	PART NO.		HDRA-EC100LFDT+			REV. 5E