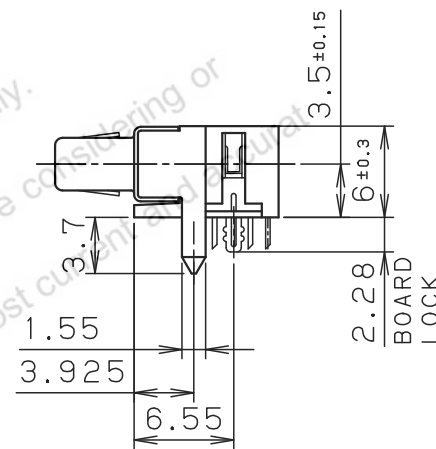


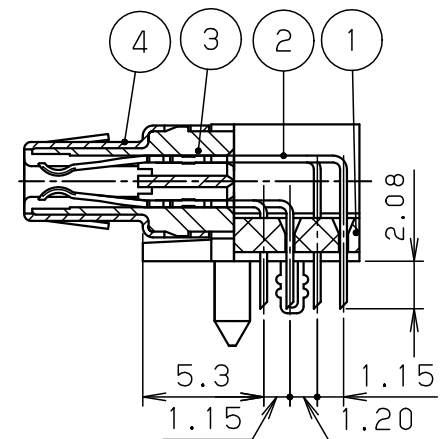
NOTE 1. CONTACT PLATING
 CONTACT AREA: GOLD 0.1 μm MIN. OVER PALLADIUM/NICKEL 0.5 μm
 TERMINAL AREA: GOLD 0.05 μm
 ALL OVER NICKEL UNDERPLATED.

2. TWO LOCK SCREWS (ITEM #5) ARE SUPPLIED WITH CONNECTOR.

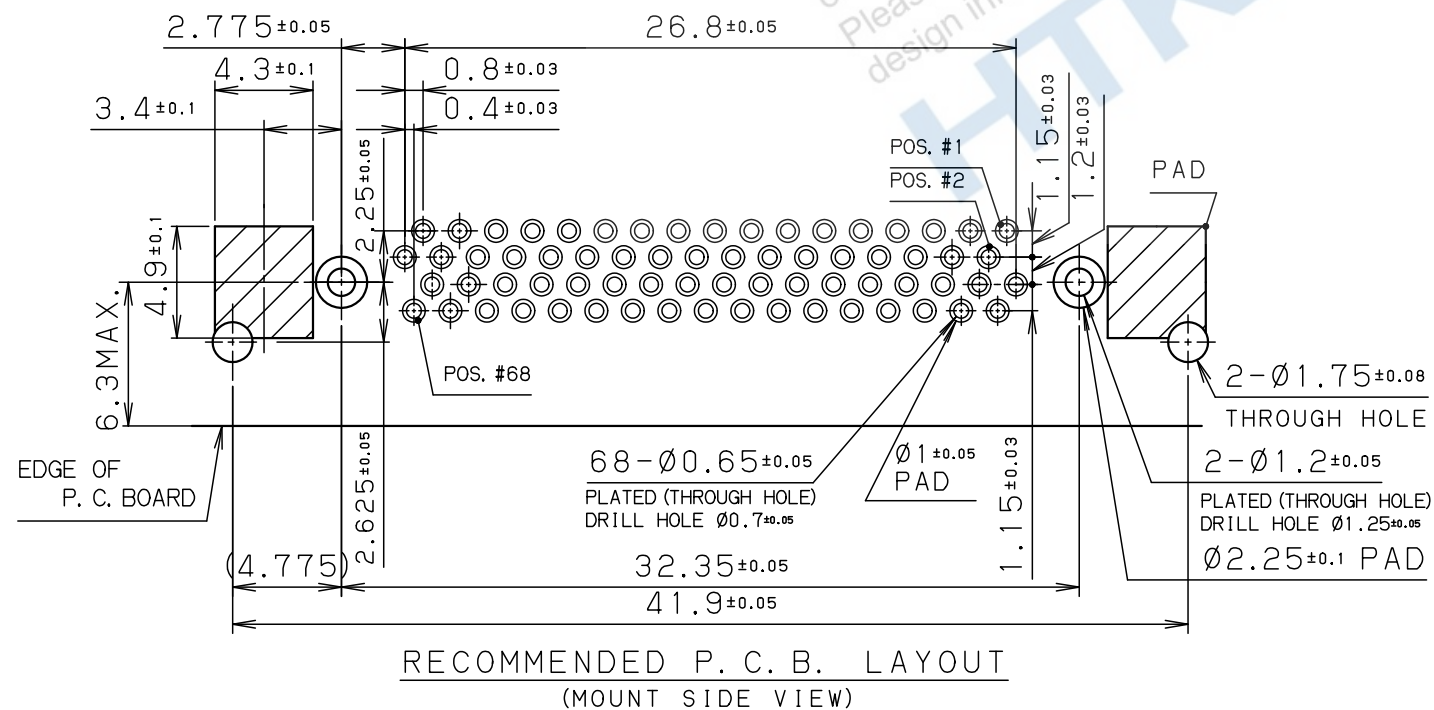
PART No.	TYPE (LOCK SCREWS)	PANEL THICKNESS
HDRA-EC68LFDT+		
HDRA-EC68LFDT-SL+	SCREW LOCK (PANEL MOUNT)	1.12±0.08
HDRA-EC68LFDT-SLA+	SCREW LOCK (PANEL MOUNT)	0.6±0.08
HDRA-EC68LFDT-SLC+	LATCH LOCK (PANEL MOUNT)	0.5~0.8
HDRA-EC68LFDT-SLE+	SCREW LOCK (PANEL MOUNT)	0.89±0.08
HDRA-EC68LFDT-SLF+	SCREW LOCK (PANEL MOUNT)	0.8±0.08
HDRA-EC68LFDT-SLG+	LATCH LOCK (WITHOUT PANEL)	



RECOMMENDED PANEL CUT-OUT DIMENSIONS



CONTACT DETAIL



RECOMMENDED P. C. B. LAYOUT (MOUNT SIDE VIEW)

6	HOLD DOWN	PHOSPHOR BRONZE	2	NICKEL PLATING	M2x0.4
5	LOCK SCREW	STEEL	2	NICKEL PLATING	M2
4	SHELL	STEEL	1	NICKEL PLATING	
3	INSULATOR	PA9T	1		UL94V-0 BLACK
2	CONTACT	PHOSPHOR BRONZE	68	SEE NOTE 1	
1	BRACKET	PPS	1		UL94V-0 BLACK

LTR.	DATE	BY	REV.	DESCRIPT	No.	PART NAME	MATERIAL	QTY	FINISH	NOTE
	DATE		SCALE		UNIT					
	July.6.2008		2 / 1		mm (INCH)					
	APP. DATE&REV.									
	DR.	DE.	CHK.	CHK.	APP.					
	Y. KATO	Y. KATO			H. EBIHARA					
							HTK	HONDA TSUSHIN KOGYO CO., LTD.		
							NAME	0.8mm SPACING 68POS. R/A FEMALE CONNECTOR (ONE MOLD TYPE)		
							PART NO.	HDRA-EC68LFDT- () +		REV.