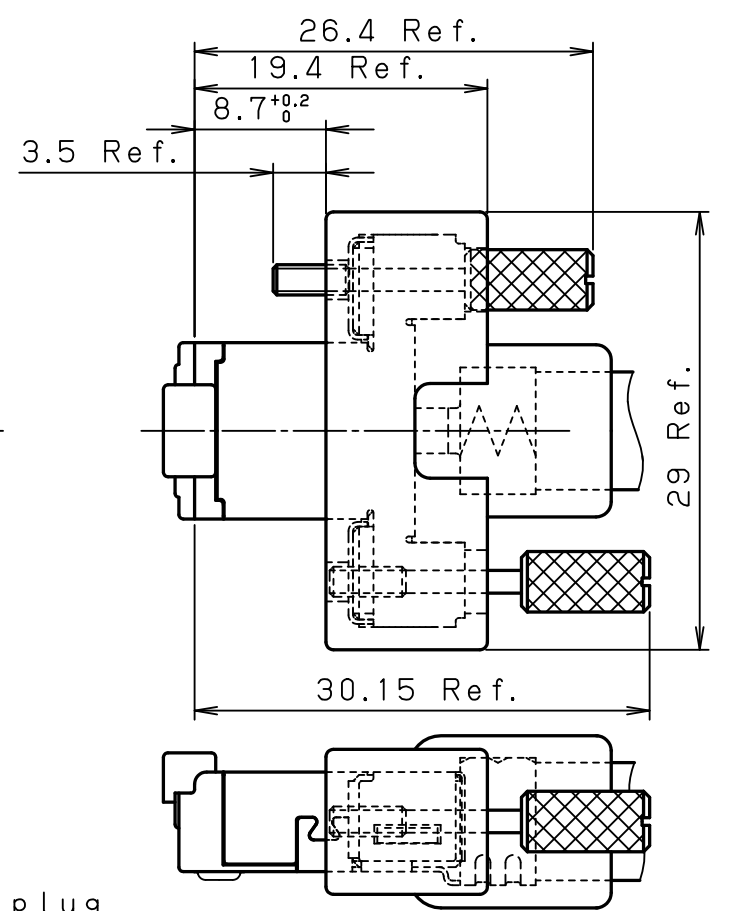
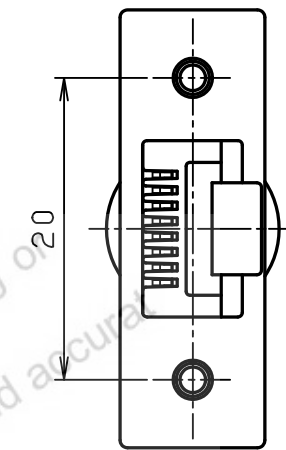


Note

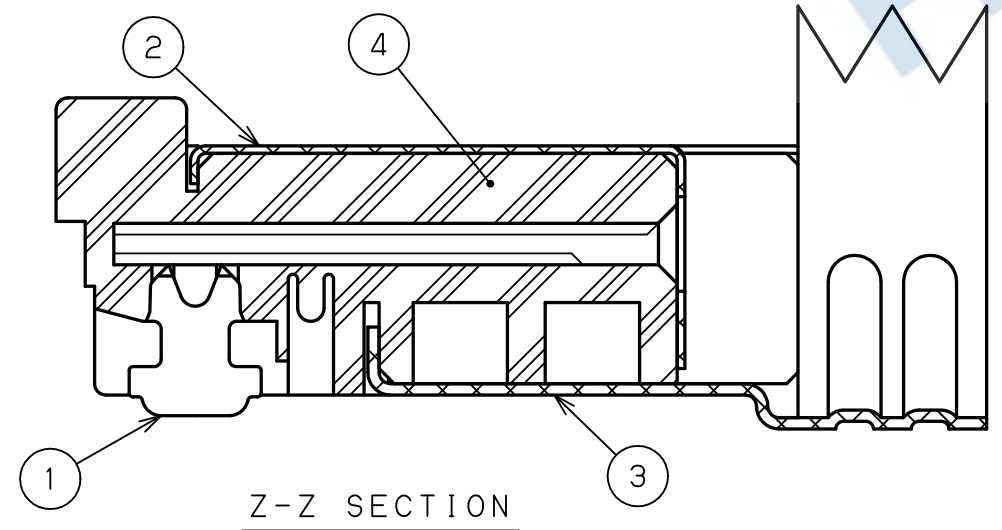
- Contact plating  
Contact area: Gold 1.27 $\mu$ m over  $\triangle$   
Underplating: Nickel
- Mating jack  
 $\triangle$  MOD-YSJ88YA03C+  
 $\triangle$  MOD-YSJ88D03C+  
(for Gigabit-Ethernet jack)
- This drawing shows connector itself and shells assembled without overmold.  
For reference see overmold design. Thumb screws are assembled with overmold.



8-8 Modular plug straight type

Overmold design (see note #3)

RoHS compliant



				5	Thumb screw	Steel	2	Nickle plating	—	
				4	Insulator	PC	1	—	UL94V-2 Transparent	
				3	Shell B	Stainless steel	1	—	—	
				2	Shell A	Stainless steel	1	—	—	
				1	Contact	Phosphor bronze	8	See note #1	—	
LTR.	DATE	BY	REV.	DESCRPT	No.	PART NAME	MATERIAL	QTY	FINISH	NOTE
	DATE			SCALE		UNIT				
	May.11.2005			2 / 1		mm (INCH)				
	APP. DATE&REV.									
DR.	DE.	CHK.	CHK.	APP.						
S. WATANABE	S. WATANABE	K. OOKU	—	Y. KATO						
NAME		Gigabit-Ethernet plug (RoHS)								
PART NO.		MOD-YSP88P03+								REV.
										1 A