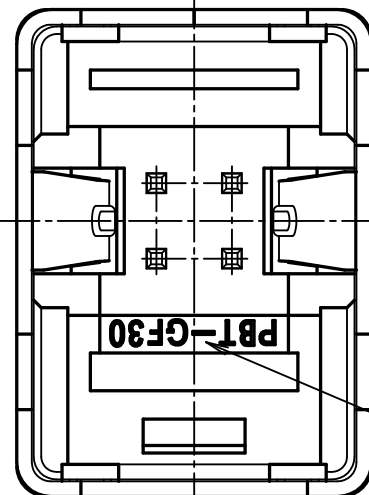
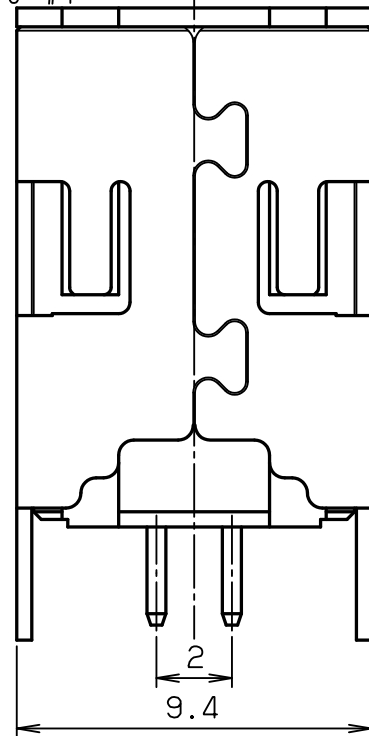


Key code
See table #1



Material code

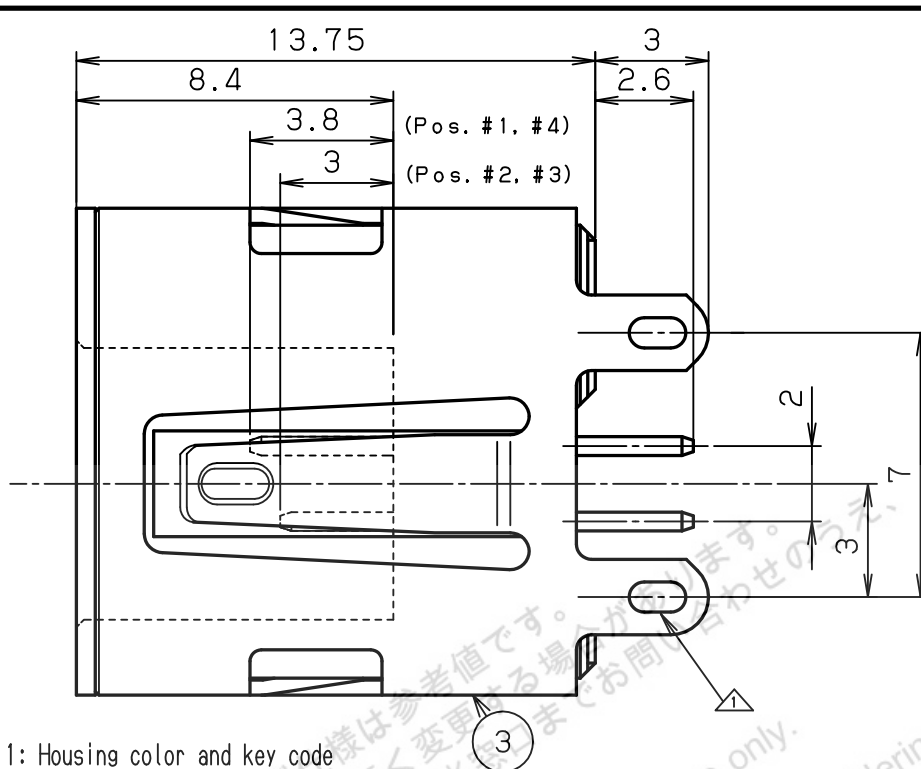
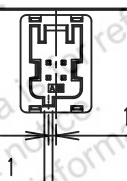
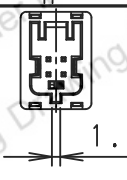
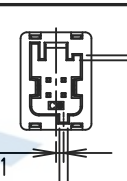
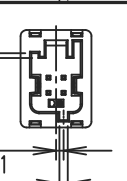
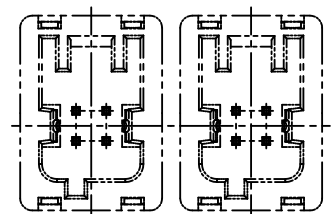


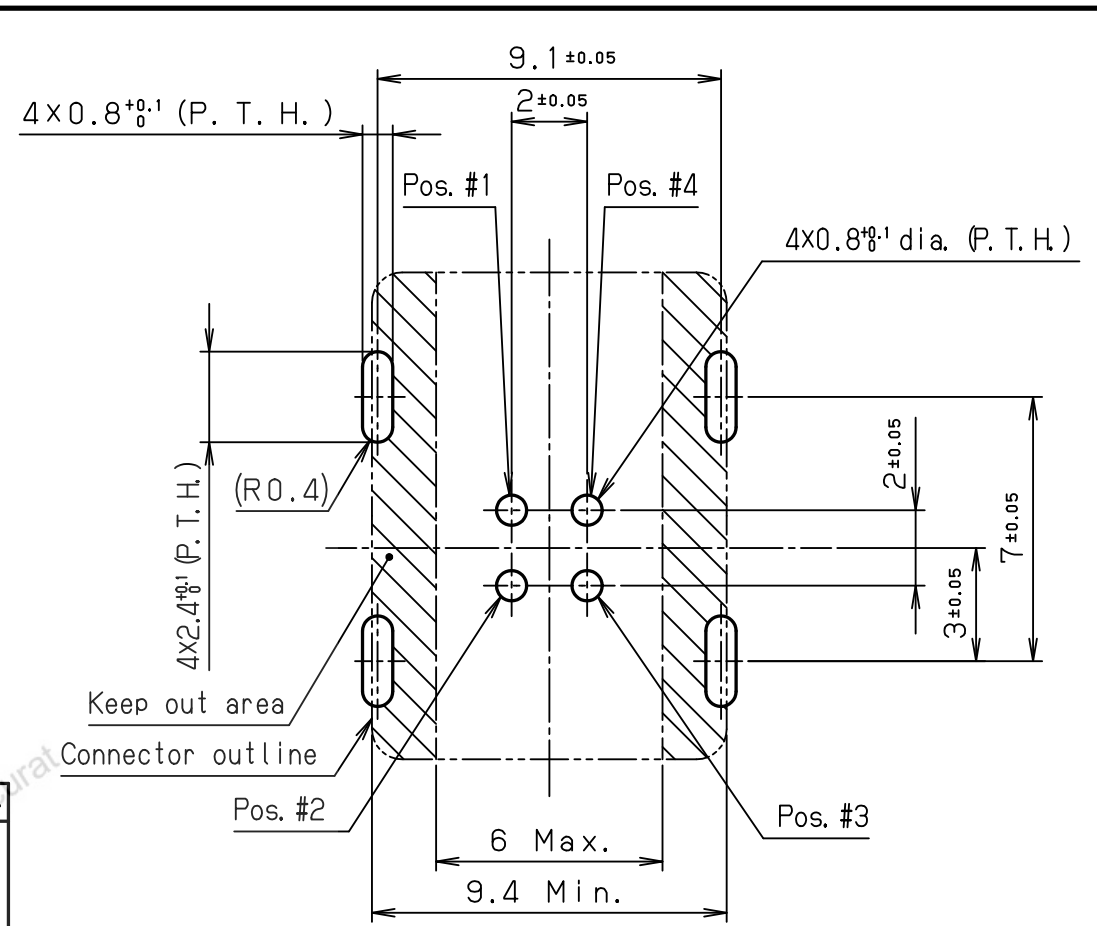
Table 1: Housing color and key code

Part no.	Insulator color	Key code	Mating plus part no.
TAK-A4MDGB-AF+	Black		TAK-A4SFCGB-AA+
TAK-A4MDGA-BF+	Blue		TAK-A4SFCGA-BA+
TAK-A4MDGC-CF+	Brown		TAK-A4SFCGC-CA+
TAK-A4MDGG-DF+	Green		TAK-A4SFCGG-DA+

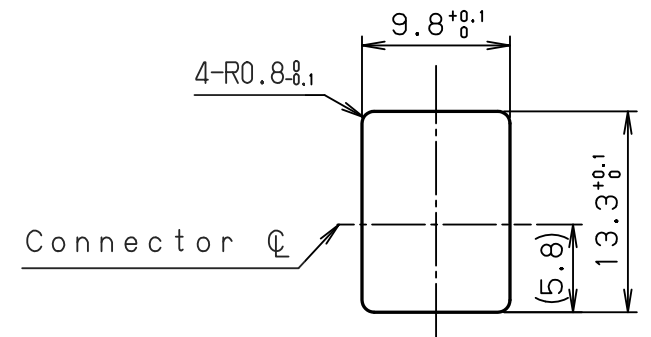
RoHS compliant






Recommended connector arrangement



Recommended P.C.B layout
P.C.B thickness: 1.2mm~1.6mm
(Connector side)



Panel opening size
(Recommended panel thickness: 1.0mm)

				3	Shell	Stainless steel	1	Nickel plating		
				2	Contact	Copper alloy	4	Gold plating		
	24. Feb. 2012	T. K	Changed shape	1	Insulator	PBT	1			
LTR.	DATE	BY	REV.	DESCRPT	No.	PART NAME	MATERIAL	QTY	FINISH	NOTE
DATE		SCALE		UNIT		3RD. A. P				
Feb. 9. 2012		5/1		mm (INCH)		HTK HONDA TSUSHIN KOGYO CO., LTD.				
APP. DATE&REV.										
DR.	DE.	CHK.	CHK.	APP.	NAME		4 pos. board receptacle connector for application-USB (RoHS)			
T. KAWANO	T. KAWANO	H. AIZAWA		K. KASHIO	PART NO.		TAK-A4MDG () - () F+			
										REV.