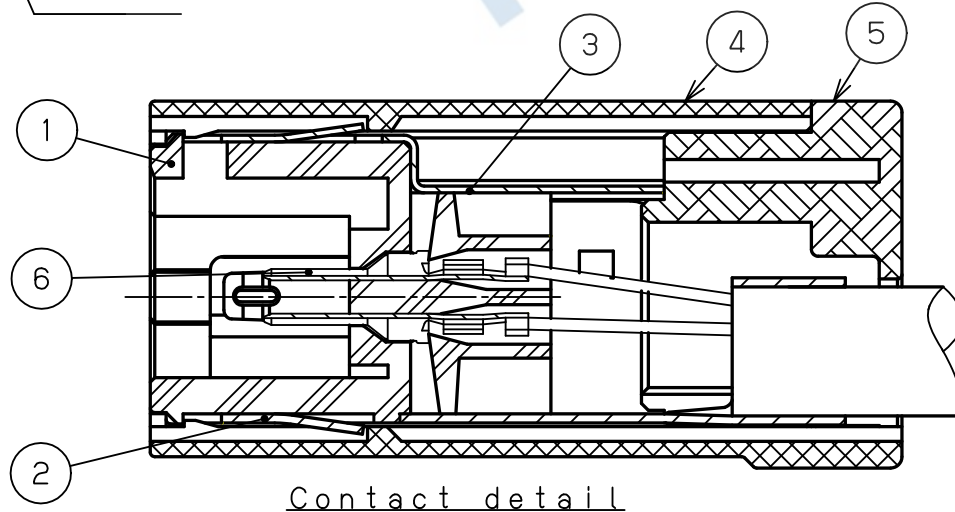
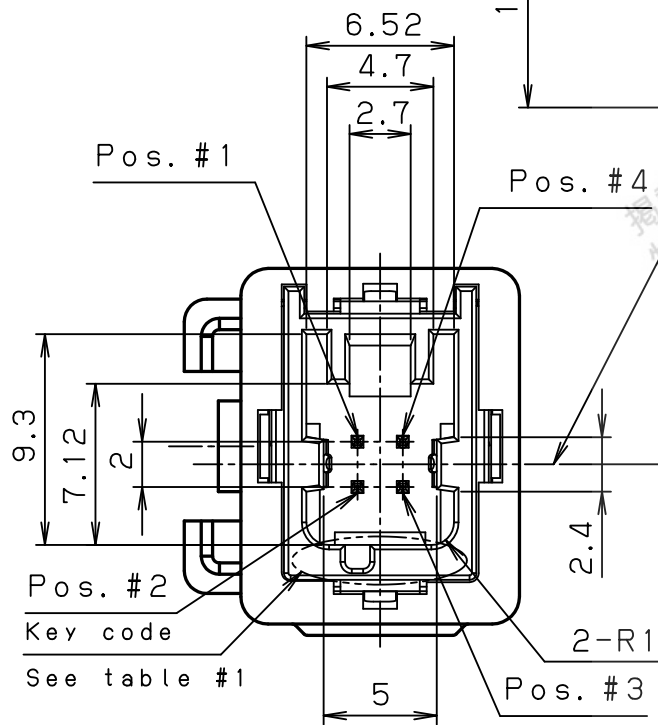
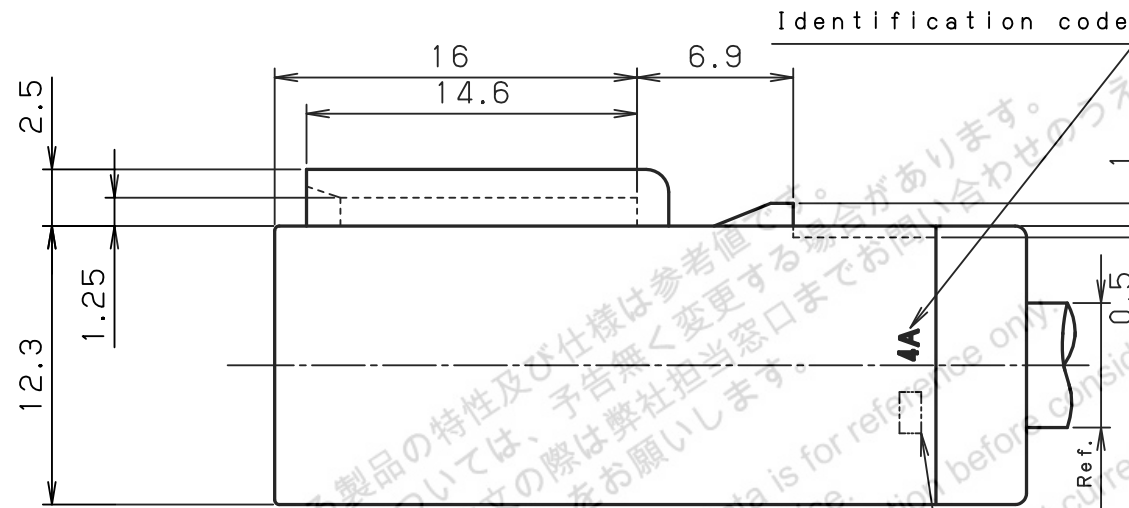
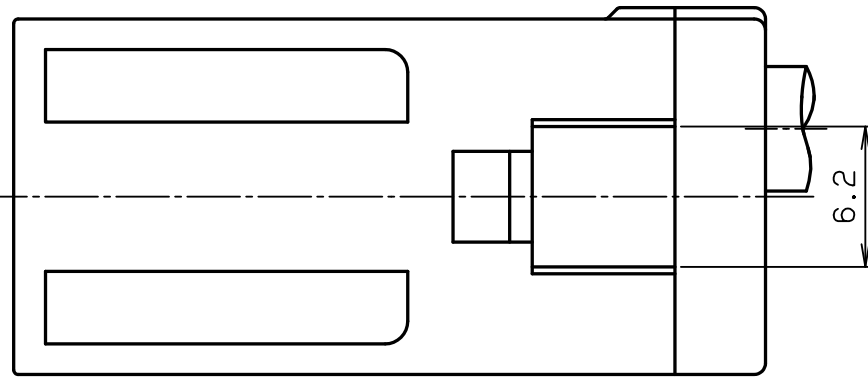


Table 2

Part no. of contact	Wire size	Insulation dia. max
TAK-MGE+	AWG#22~26	1.1
TAK-MGB+	AWG#28~32	1.0

Note. Contact parts described in above table are not included with this product part number.

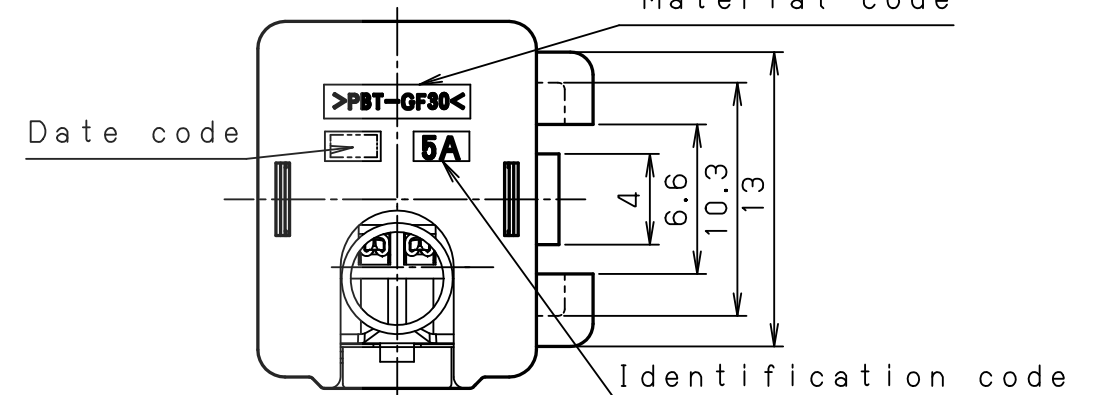


Contact detail

Table 1: Housing color and key code

Part no.	Housing color	Key code	Mating female/receptacle part no.
TAK-A4SMCGB-AA+	Black		TAK-A4SFCGB-A()+
TAK-A4SMCGA-BA+	Blue		TAK-A4SFCGA-B()+
TAK-A4SMCGC-CA+	Brown		TAK-A4SFCGC-C()+
TAK-A4SMCGG-DA+	Green		TAK-A4SFCGG-D()+

Material code



No.	PART NAME	MATERIAL	QTY	FINISH	NOTE
6	Contact	Copper alloy	4	contact area:Gold plating terminal area:Nickel plating	See table #2
5	Retainer	PBT (GF)	1	—	UL94V-0 Black
4	Hood	PBT (GF)	1	—	UL94V-0 Black
3	Top shell	Stainless Steel	1	Nickel plating	—
2	Bottom shell	Stainless Steel	1	Nickel plating	—
1	Housing	PBT (GF)	1	—	UL94V-0 See table #1

DATE	BY	REV.	DESCRIP	No.	PART NAME	MATERIAL	QTY	FINISH	NOTE
Apr. 27 2017	H. A		Added part no.	2	Bottom shell	Stainless Steel	1	Nickel plating	—
Nov. 30 2010	T. K		Changed shape	1	Housing	PBT (GF)	1	—	UL94V-0 See table #1

DATE	SCALE	UNIT	3RD. A. P	HTK HONDA TSUSHIN KOGYO CO., LTD.	
Nov. 4, 2010	3 / 1	mm (INCH)		NAME	4 pos. in-line male/header connector (RoHS)
DR.	DE.	CHK.	CHK.	APP.	PART NO.
H. ASHII	H. ASHII	T. KAWANO	—	H. AIZAWA	TAK-A4SMCG()-()A+
					REV. 2B