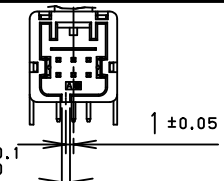
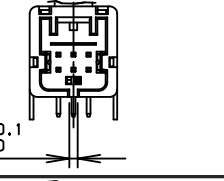
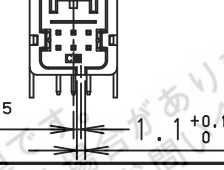
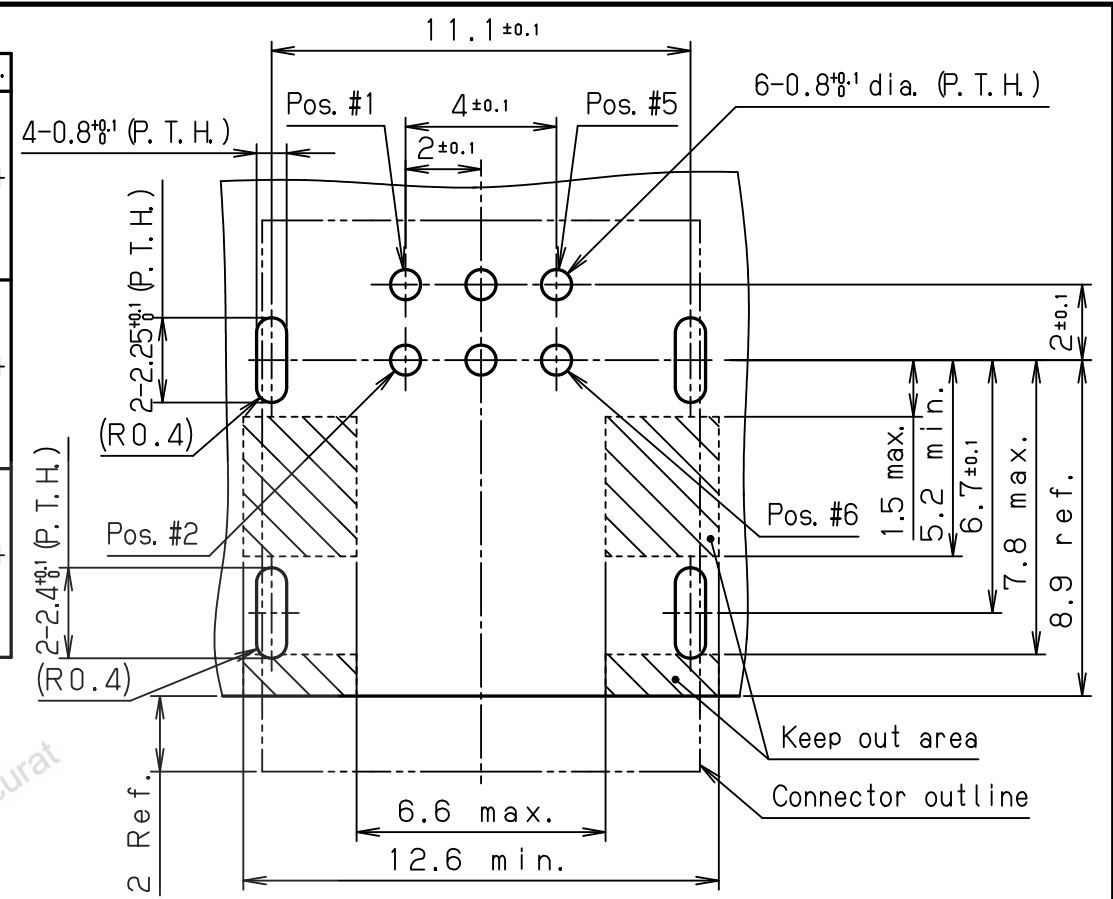
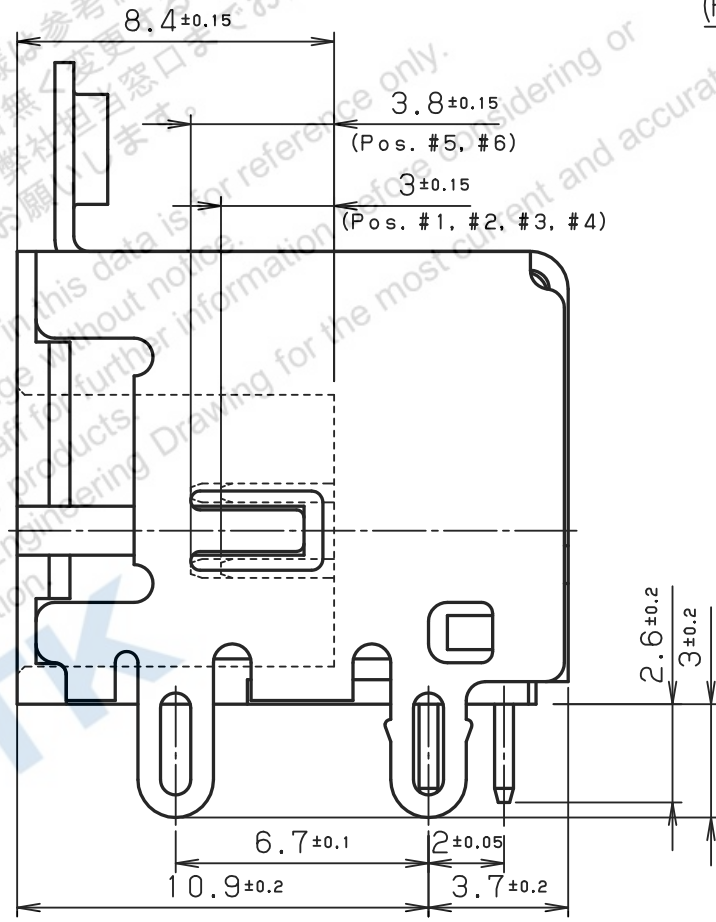
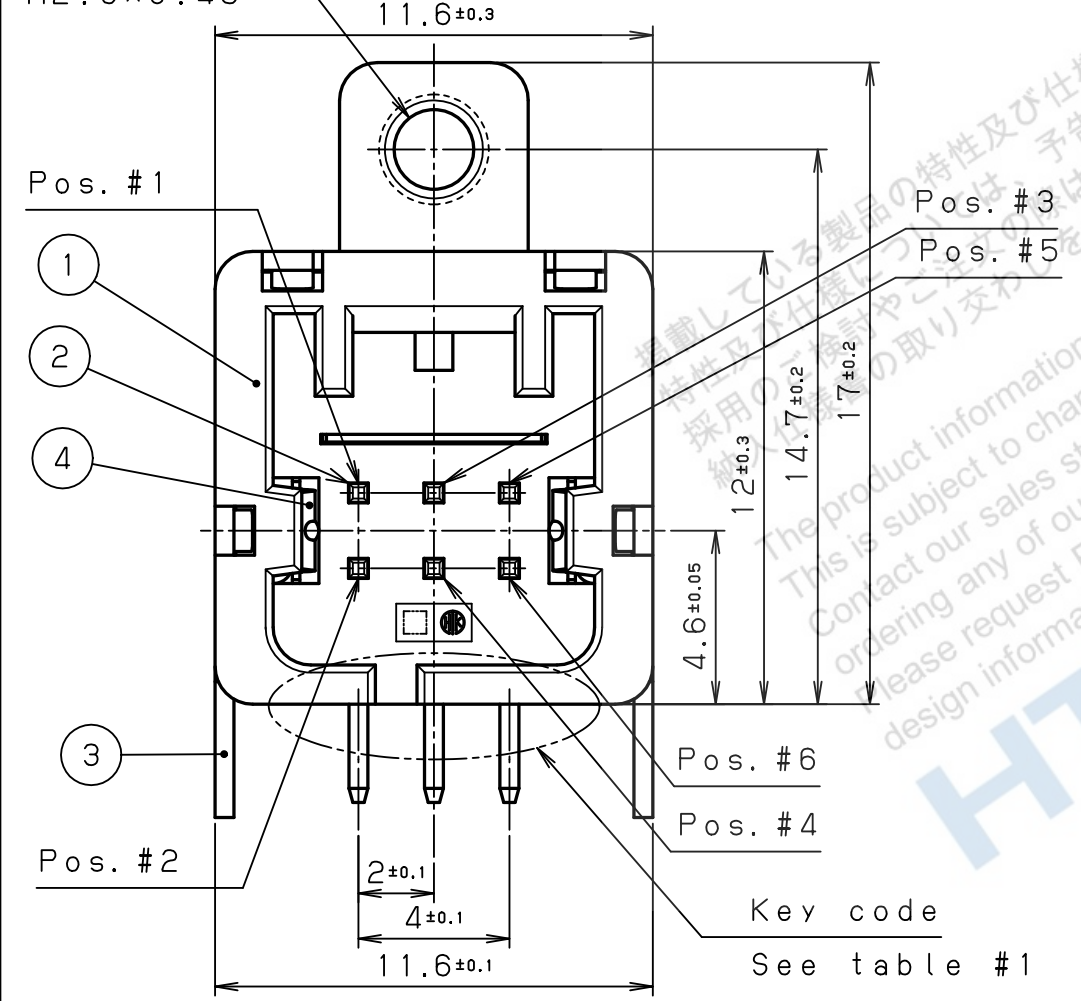


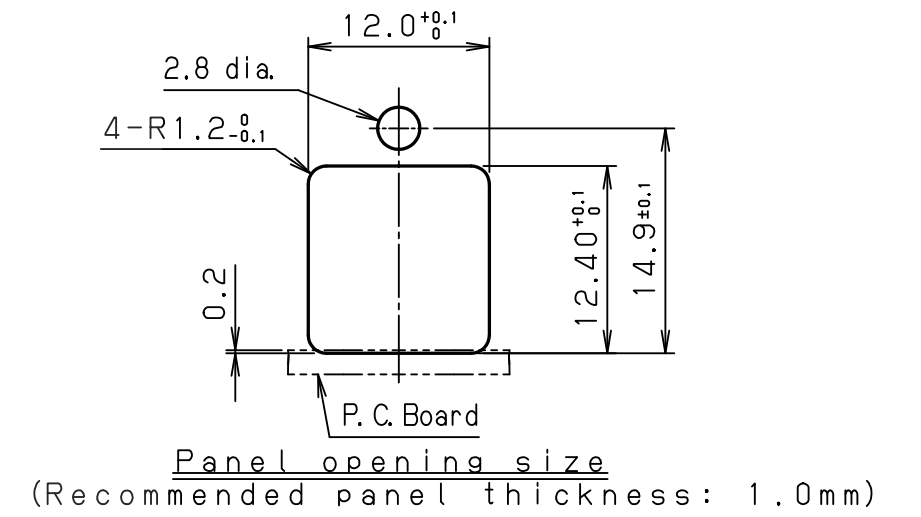
Table 1: Housing color and key code

Part no.	Insulator color	Key code	Mating plug part no.
TAK-A6LMDGGB-AB+	Black		TAK-A6SFCGB-A ( ) +
TAK-A6LMDGAB-BB+	Blue		TAK-A6SFCGA-B ( ) +
TAK-A6LMDGCB-CB+	Brown		TAK-A6SFCGC-C ( ) +

Screw size  
M2.6x0.45



Recommended P.C.B layout  
P.C.B thickness: 1.2mm~1.6mm  
(Connector side)



RoHS compliant

△	Jan. 21 2010	T. K	Add housing color and key code	4	Ground contact	Stainless steel	1	Nickel plating	—
△	May. 8 2008	T. S	Changed shape, revise	3	Shell	Steel	1	Nickel plating	—
△	Jan. 11 2008	T. S	Changed dim.	2	Contact	Copper alloy	6	Gold plating	—
△	Jan. 11 2008	T. S	Changed dim.	1	Insulator	PBT (GF)	1	—	UL94V-0 See table #1
LTR.	DATE	BY	REV. DESCRIPT	No.	PART NAME	MATERIAL	QTY	FINISH	NOTE
DATE		SCALE		UNIT		3RD. A. P			
Nov. 14. 2007		5/1		mm (INCH)		HTK HONDA TSUSHIN KOGYO CO., LTD.			
APP. DATE&REV.									
DR.	DE.	CHK.	CHK.	APP.	NAME				
T. KAWANO	T. KAWANO	H. AIZAWA	T. SATO	K. KASHIO	6 pos. receptacle connector (RoHS)				
					PART NO.	TAK-A6LMDG ( ) B- ( ) B+			REV. 3C