

Table 2: Housing color and key code

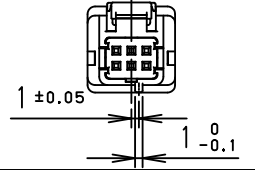
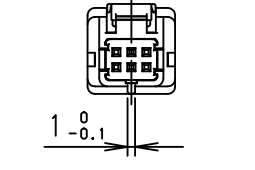
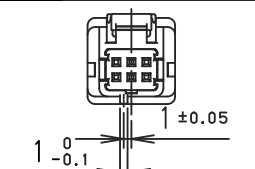
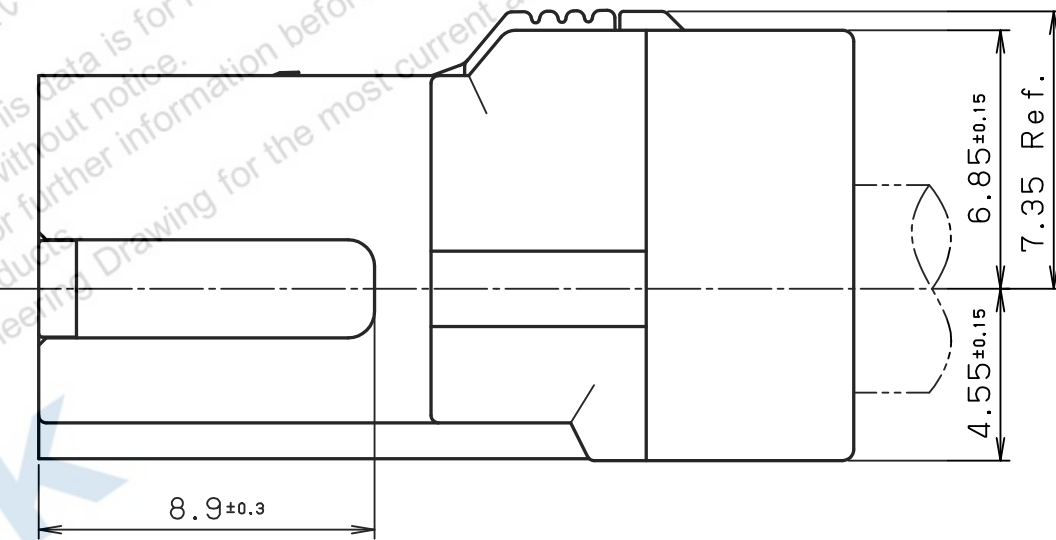
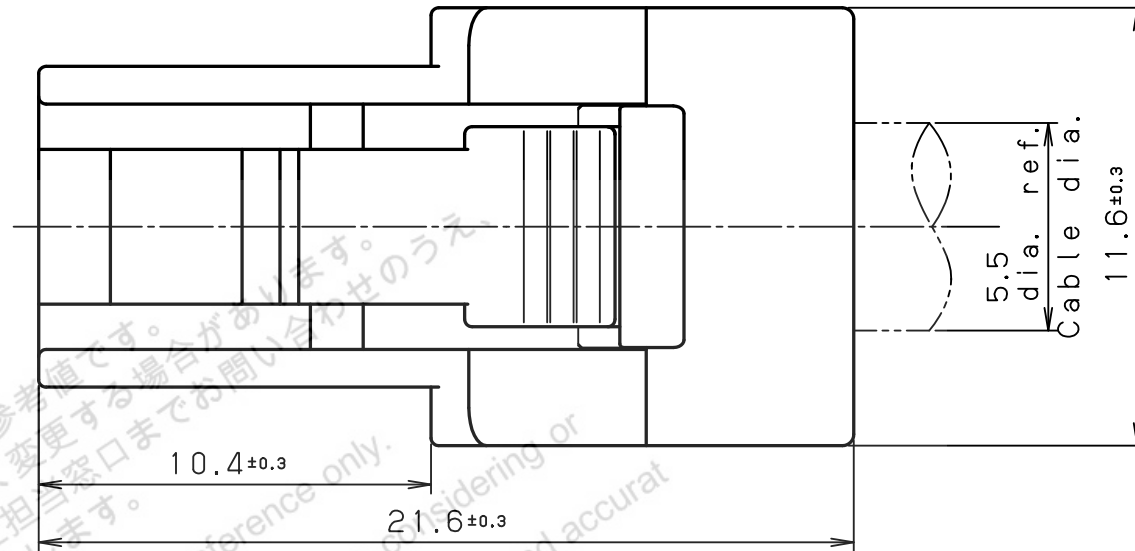
Part no.	Housing color	Key code	Mating receptacle part no.
TAK-A6SFCGB-AC+	Black		TAK-A6LMDGB () -A () +
TAK-A6SFCGA-BC+	Blue		TAK-A6LMDGA () -B () +
TAK-A6SFCGC-CC+	Brown		TAK-A6LMDGC () -C () +

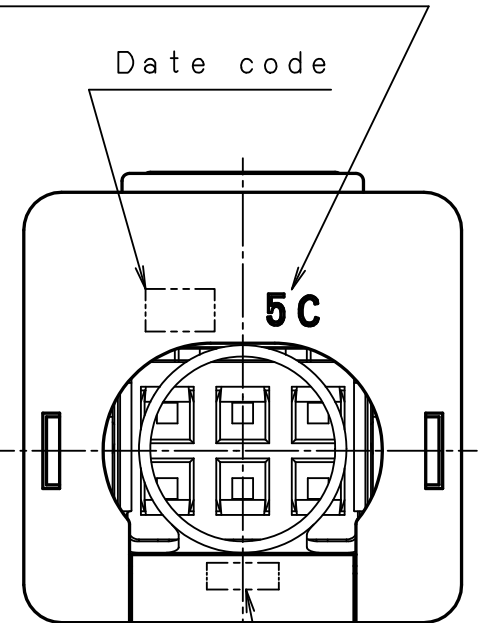
Table 1

Part no. of contact	Wire size	Insulation dia. max.
LPC-F113S	AWG#32	0.6
LPC-F113N	AWG#28~32	1.0
LPC-F113L	AWG#22~26	1.1

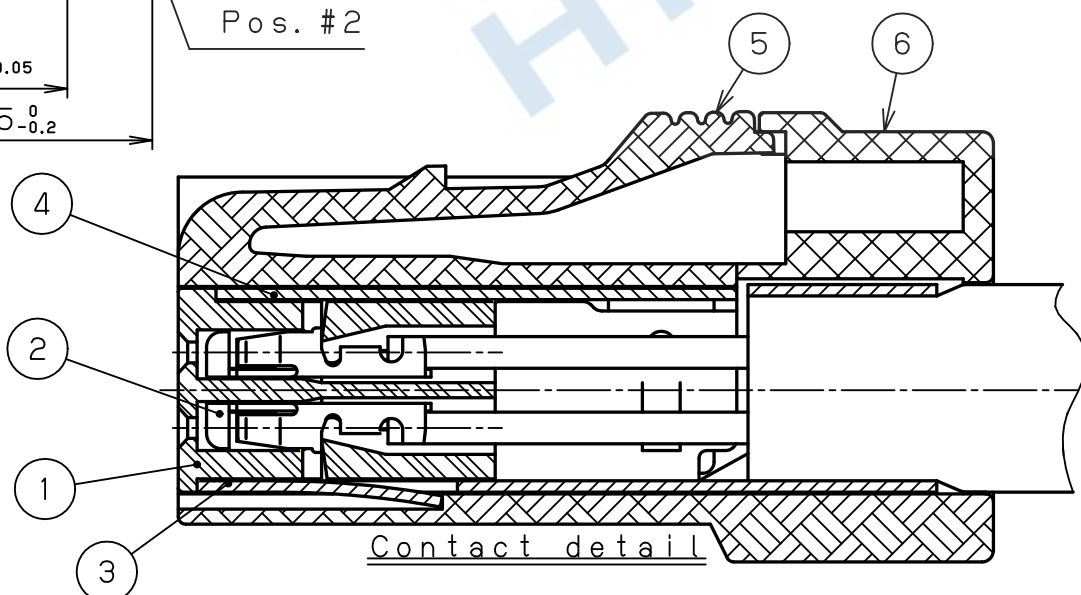
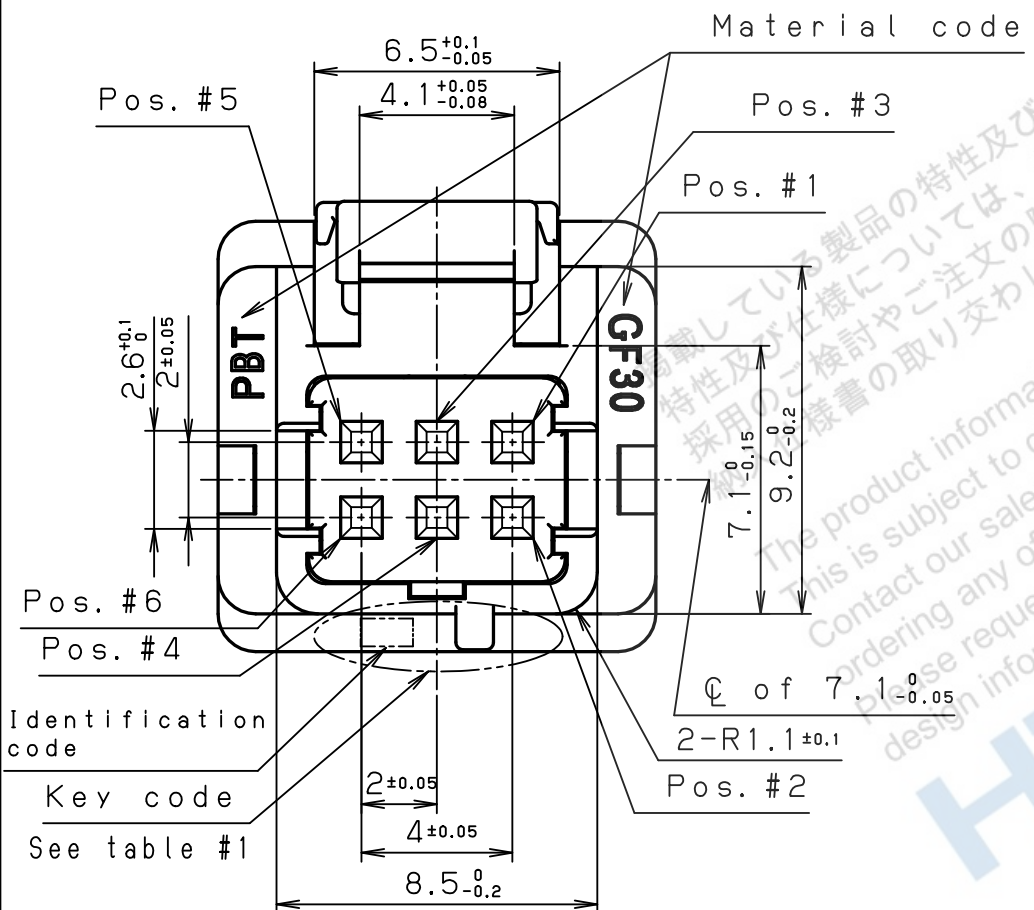
Note. Contact parts described in above table are not included with this product part number.



Identification code



Date code



RoHS compliant

No.	Part Name	Material	Qty	Finish	Note
6	Hood B	PBT (GF)	1	—	UL94V-0 Black
5	Hood A	PBT (GF)	1	—	UL94V-0 Black
4	Shell B	Stainless steel	1	—	—
3	Shell A	Stainless steel	1	Nickel plating	—
2	Contact	Copper alloy	6	Gold plating	See Table #1
1	Housing	PBT (GF)	1	—	UL94V-0 See table #2

改版 LTR.	年月日 DATE	変更者 BY	変更内容 REV. DESCRIPT	番号 No.	部品名 PART NAME	材質 MATERIAL	個数 QTY	処理 FINISH	備考 NOTE
Feb.04(2010)	5/1								

製 図 DR.	設 計 DE.	検 査 CHK.	検 査 CHK.	承 認 APP.	名 称 NAME	製 番 PART NO.	REV.
T. KAWANO	T. KAWANO	T. SATO	—	K. KASHIO	6 pos. plug connector (RoHS)	TAK-A6SFCG () - () C+	