

Table 1: Housing color and key code

Part no.	Housing color	Key code	Mating female/receptacle part no.
TAK-A6SMCGB-AC+	Black		TAK-A6SFCGB-A( )+
TAK-A6SMCGA-BC+	Blue		TAK-A6SFCGA-B( )+
TAK-A6SMCGC-CC+	Brown		TAK-A6SFCGC-C( )+

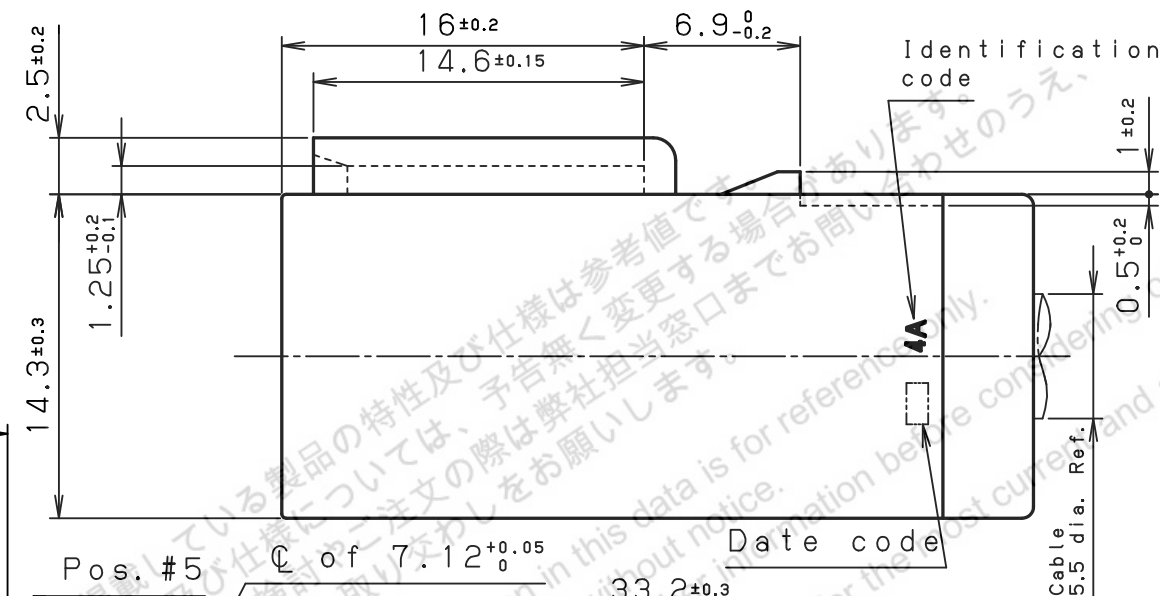
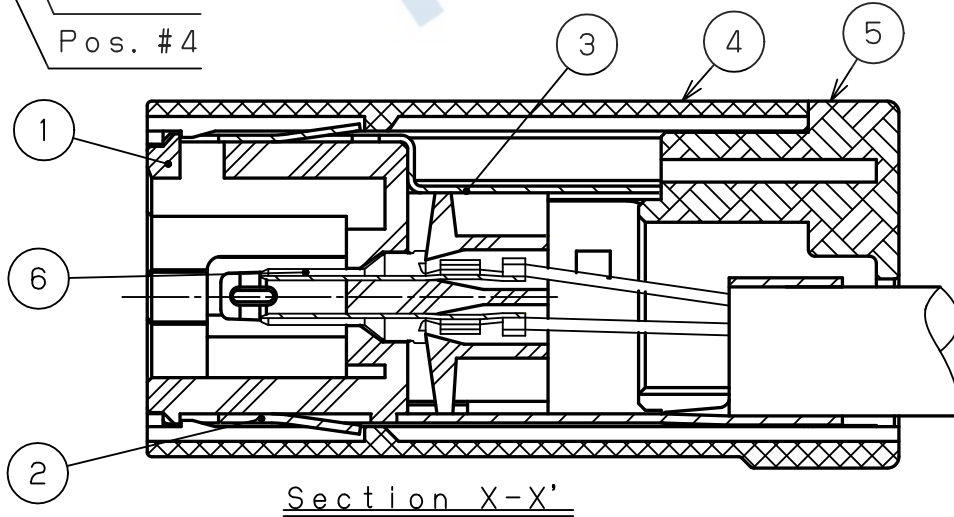
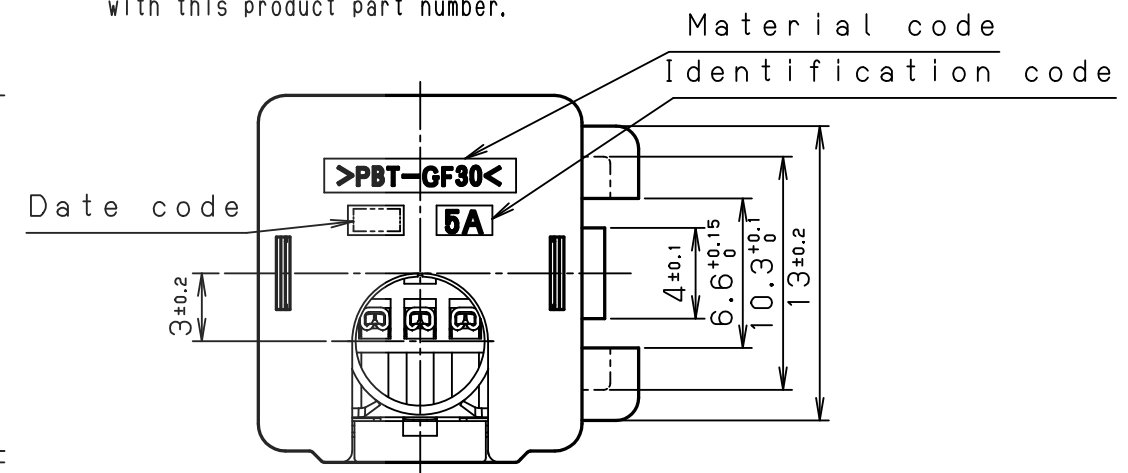
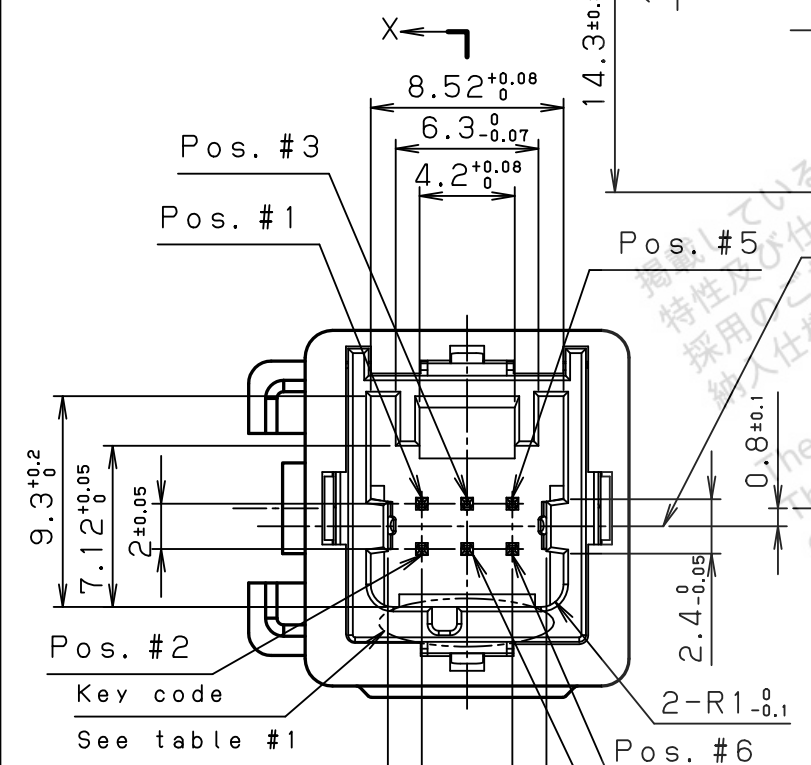


Table 2

Part no. of contact	Wire size	Insulation dia. max
TAK-MGE+	AWG#22~26	1.1

Note. Contact parts described in above table are not included with this product part number.



Section X-X'

No.	Part Name	Material	QTY	FINISH	NOTE
6	Contact	Copper alloy	6	contact area:Gold plating terminal area:Nickel plating	See table #2
5	Retainer	PBT (GF)	1		UL94V-0 Black
4	Hood	PBT (GF)	1		UL94V-0 Black
3	Top shell	Stainless Steel	1	Nickel plating	
2	Bottom shell	Stainless Steel	1	Nickel plating	
1	Housing	PBT (GF)	1		UL94V-0 See table #1

LTR.	DATE	BY	REV.	DESCRIPT	No.	PART NAME	MATERIAL	QTY	FINISH	NOTE	
	Jan.29, 2010										
	APP. DATE&REV.										
DR.	DE.	CHK.	CHK.	APP.		NAME	6 pos. in-line male/header connector (RoHS)				
T. KAWANO	T. KAWANO	H. AIZAWA	T. SATO	K. KASHIO		PART NO.	TAK-A6SMCG( )-( )C+				
							REV.				