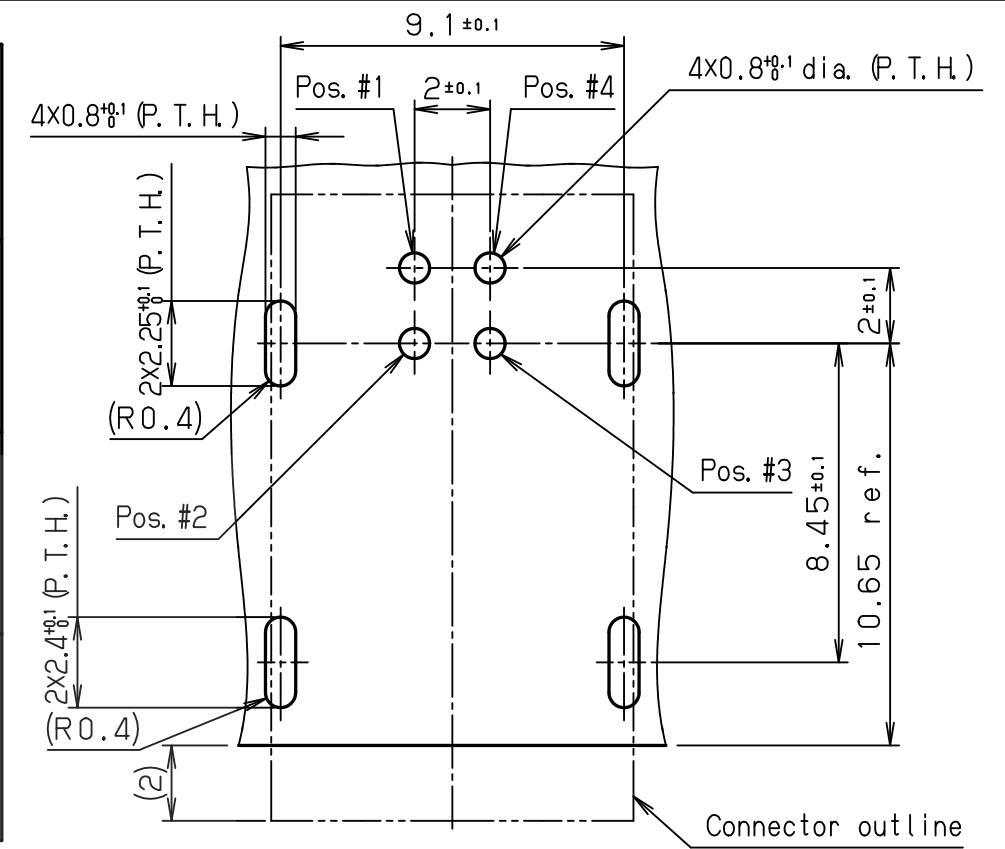
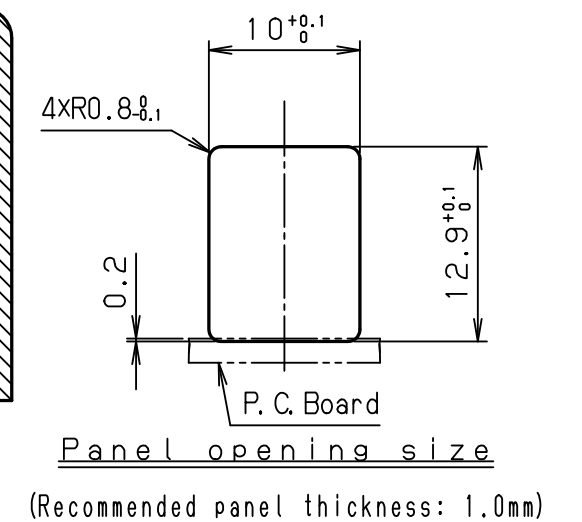
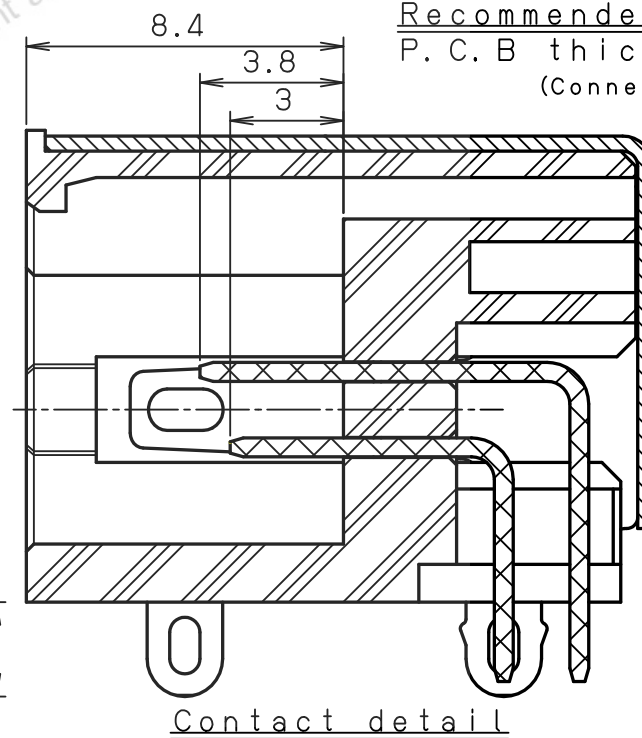
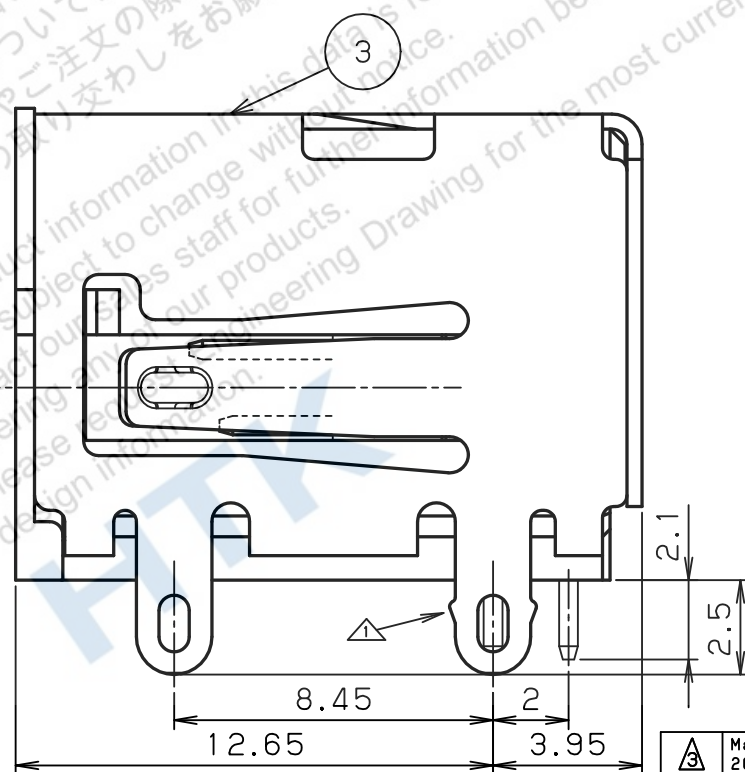
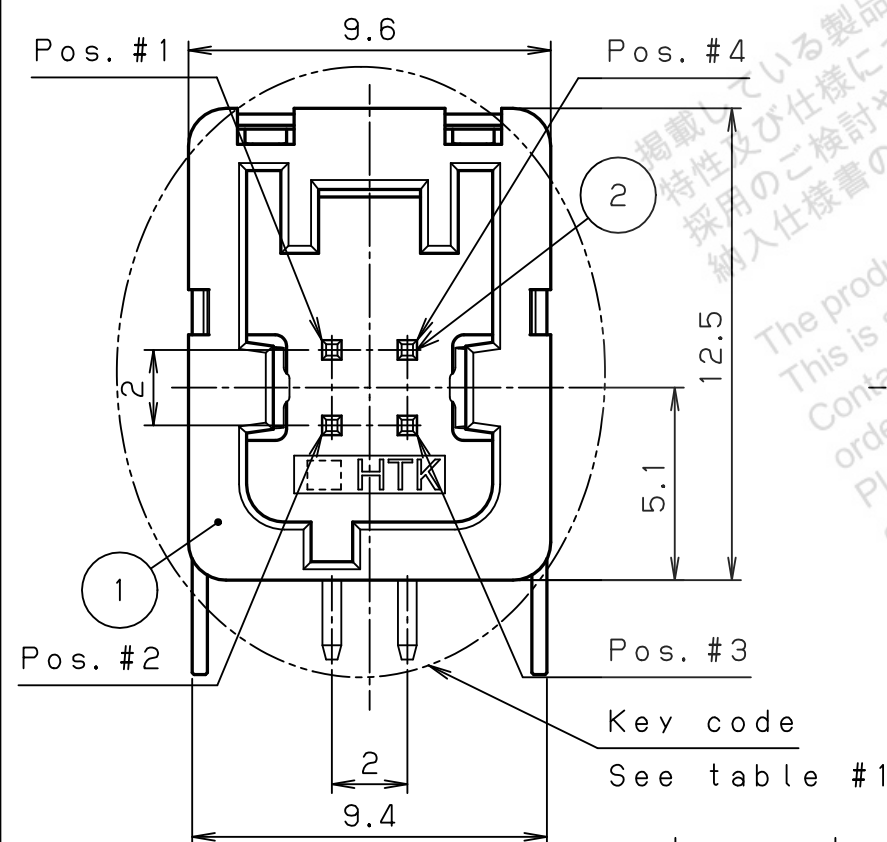


Table 1: Housing color and key code

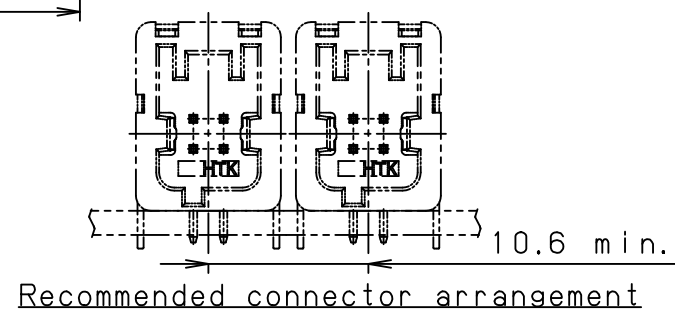
Part no.	TAK-V4LMDGB-AF+		Part no.	TAK-V4LMDGH-EF+	
Insulator color	Black		Insulator color	Gray	
Mating plug part no.	TAK-V4SFCGB-AA+		Mating plug part no.	TAK-V4SFCGH-EA+	
Part no.	TAK-V4LMDGA-BF+		Part no.	TAK-V4LMDGD-FF+	
Insulator color	Blue		Insulator color	Orange	
Mating plug part no.	TAK-V4SFCGA-BA+		Mating plug part no.	TAK-V4SFCGD-FA+	
Part no.	TAK-V4LMDGC-CF+		Part no.	TAK-V4LMDGR-GF+	
Insulator color	Brown		Insulator color	Red	
Mating plug part no.	TAK-V4SFCGC-CA+		Mating plug part no.	TAK-V4SFCGR-GA+	
Part no.	TAK-V4LMDGG-DF+		Part no.	TAK-V4LMDGP-HF+	
Insulator color	Green		Insulator color	Purple	
Mating plug part no.	TAK-V4SFCGG-DA+		Mating plug part no.	TAK-V4SFCGP-HA+	



Recommended P.C.B layout
P.C.B thickness: 1.2mm~1.6mm
(Connector side)



RoHS compliant



▲	Mar.10 2015	T. K	Add. Part no.	3	Shell	Stainless steel	1	Nickel plating		
▲	Dec.25 2014	T. K	Changed shape	2	Contact	Copper alloy	4	Gold plating		
▲	Aug.7 2014	T. K	Changed shape	1	Insulator	PBT	1			
LTR.	DATE	BY	REV.	DESCRIPT	No.	PART NAME	MATERIAL	QTY	FINISH	NOTE
DATE		SCALE		UNIT		3RD. A. P				
Jan.31.2014		5/1		mm (INCH)		HTK HONDA TSUSHIN KOGYO CO., LTD.				
APP. DATE&REV.										
DR.	DE.	CHK.	CHK.	APP.	NAME		4 pos. board receptacle connector (RoHS)			
T. KAWANO	T. KAWANO	S. OHSHIMA	T. SATO	S. FURUSAWA	PART NO.	TAK-V4LMDG () - () F+			REV. 3C	