

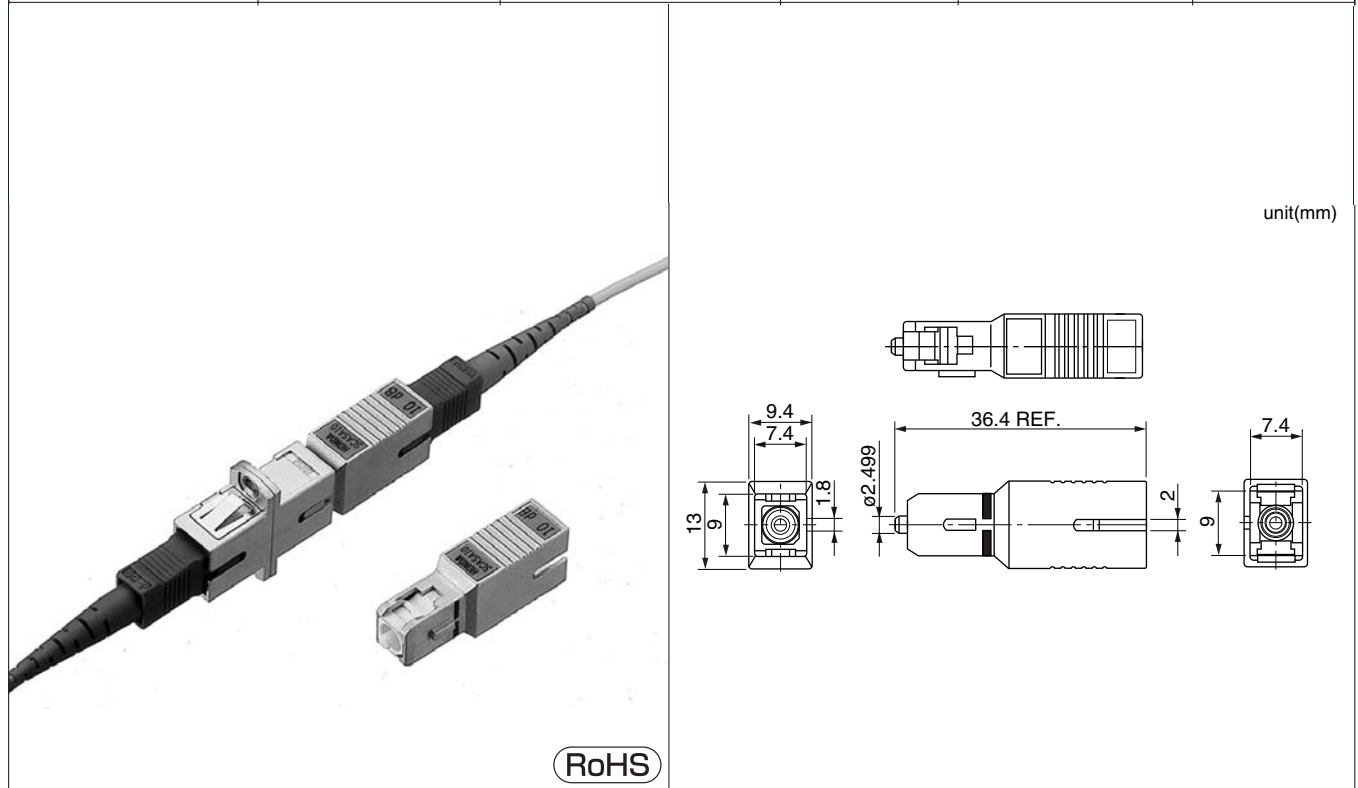
# SC-type Optical Fixed Attenuator

**Optical fiber connector**  
**Optical fixed attenuator**  
**SC-type**

## SC-type Optical Fixed Attenuators

Please contact us if required attenuations are not shown in the table below.

Item number	Mode	Attenuation Quantity and Tolerance	Return Loss	Optical Max Resistance Input	Ferrule Polishing
LGA-SHP303S+R	Single Mode 1.55 Single Mode	3±1.0dB	40dB or more	~100mW	AdPC
LGA-SHP305S+R		5±1.5dB			
LGA-SHP310S+R		10±1.5dB			
LGA-SHP315S+R		15±1.5dB			
LGA-SHP320S+R		20±1.5dB			
LGA-SHP325S+R		25±1.5dB			
LGA-SHP330S+R		30±2.5dB			



# MU-type Optical Fixed Attenuator

**Optical fiber connector**


**Optical fixed attenuator**

**MU-type**

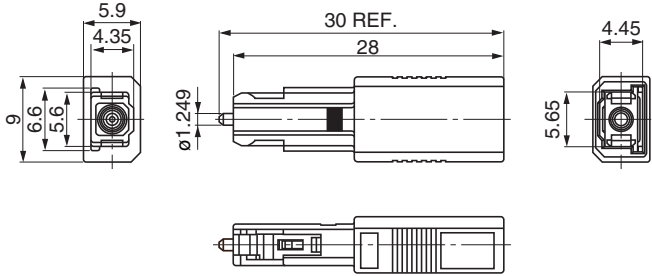
## MU-type Optical Fixed Attenuator

Please contact us if required attenuations are not shown in the table below.

Item number	Mode	Attenuation Quantity and Tolerance	Return Loss	Optical Max Resistance Input	Ferrule Polishing
LGA-S601KCA	Single Mode	1±0.5dB	40dB or more	~100mW	AdPC
LGA-S603KCA		3±1.0dB			
LGA-S605KCA		5±1.5dB			
LGA-S610KCA		10±1.5dB			
LGA-S615KCA		15±2.0dB			
LGA-S620KCA		20±2.0dB			



unit(mm)



RoHS